

Gradient.

A flexible solution like no other.

We've envisioned the office as a destination where people can come together — for collaboration, socializing, and to focus away from home. Gradient offers a complete collection of interlocking, adaptable settings that create spaces from workstations all the way to collaborative areas. This system is designed to evolve as your organization and needs evolve over time.





BEAM

Overview page 4

POWER

Overview page 5

CONNECTORS

Overview page 7

SCREENS

Overview page 11

Accessories page 14

TABLES

Height adjustable Desks page 16

Gradient touch down table page 18

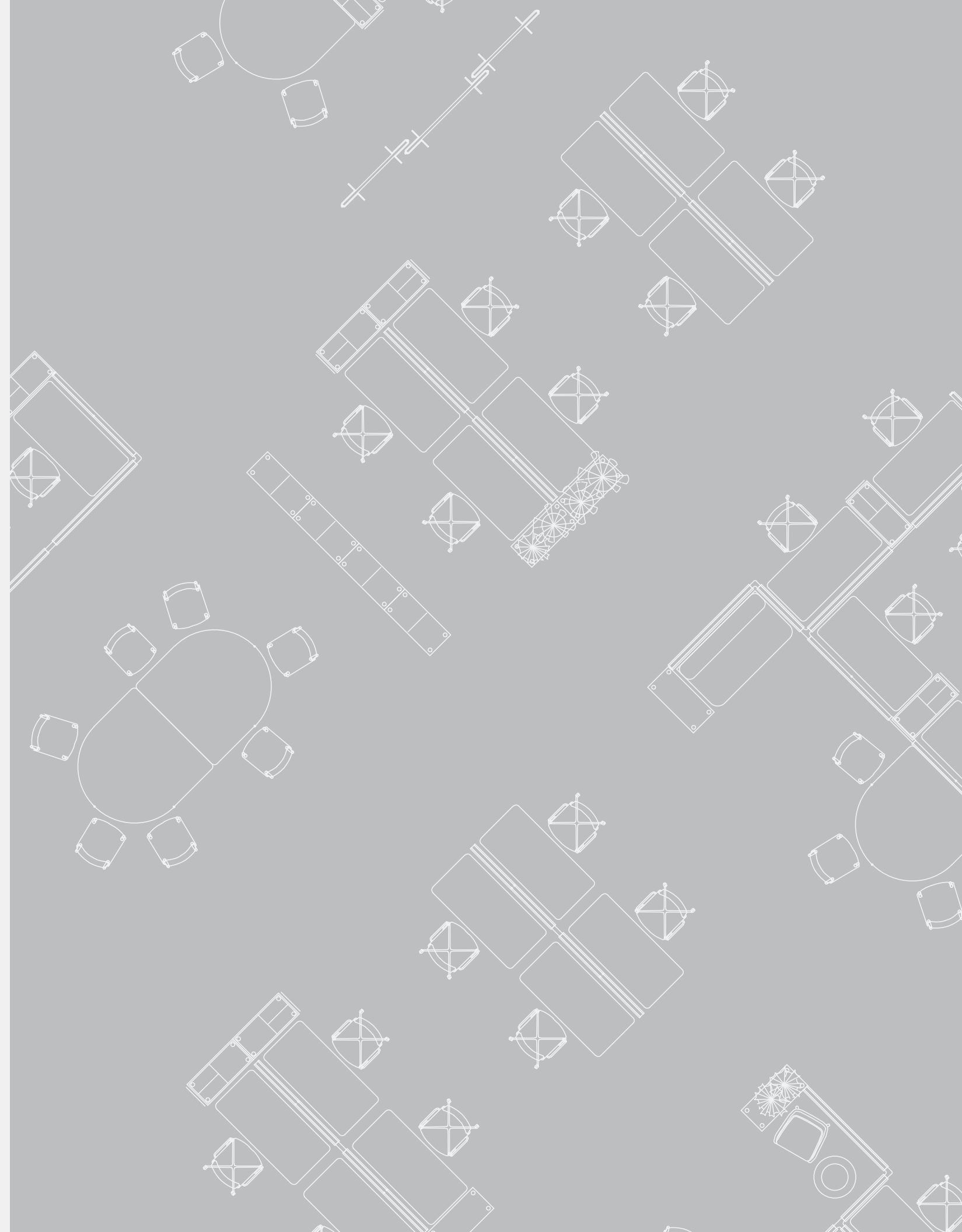
Chroma meeting tables page 19

STORAGE

Hue storage page 23

PLANNING GUIDE

Overview page 33



GRADIENT | BEAMS

DIMENSIONS

Module: 32 | 60 | 72

Beam Height: 26"H

STYLES

Non-Powered: 32

Powered: 60 | 72

DESIGN DETAILS

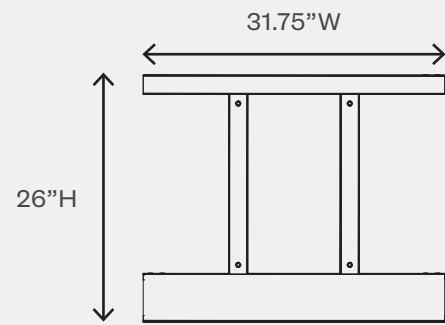
Glide: 1.5" Leveler

FINISHES (Refer to Pair Palette)

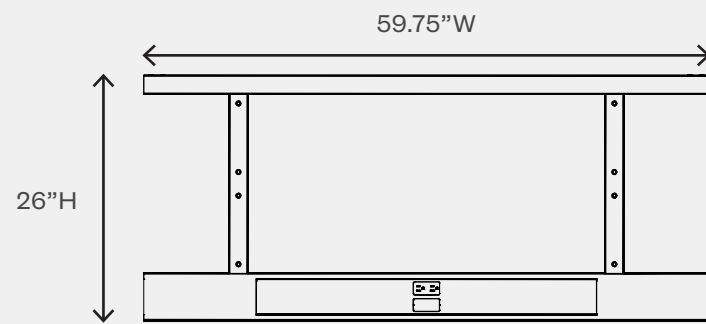
Beam: Metal

Puck: Metal (default to match beam finish)

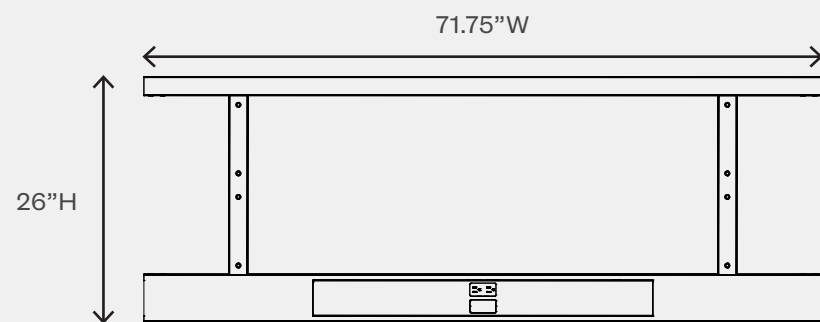
Module 32



Module 60



Module 72



GRADIENT | POWER

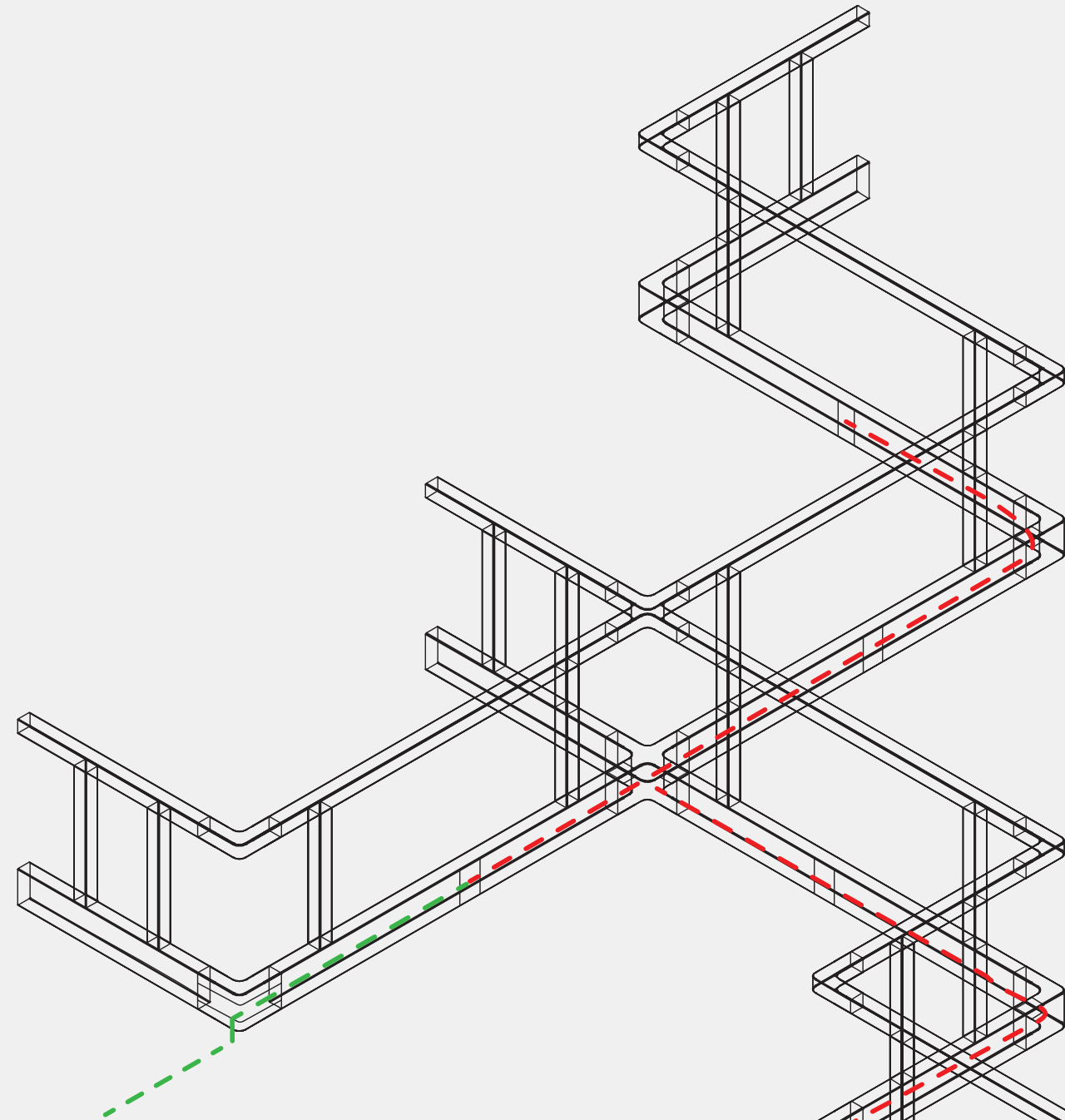
Duplex:	(1) Per User
Circuit Keying:	3+1 (default) 2+2
Duplex finish:	Black White
Controlled Circuit Duplex:	Stamped Colored
Data:	(1) Knockout Per User
Data Knockout Dimension:	2.75"W x 1.375"H can accommodate 4 port data plate
Infeed:	72"L, Metallic Liquid Tight, Hardwired, Straight Coupler
Infeed Circuits:	1-Circuit 2-Circuits 3-Circuits 4-Circuits

For additional power information and non-standard options see the [Pair Power Understanding Guide](#).

PERFECT PAIR-ING (Refer to product brochures)

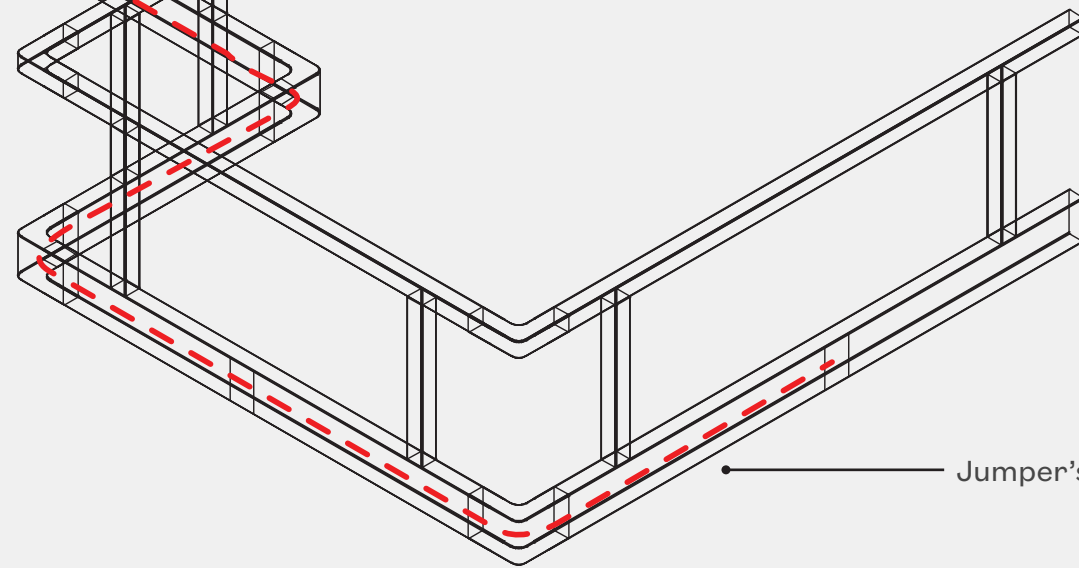
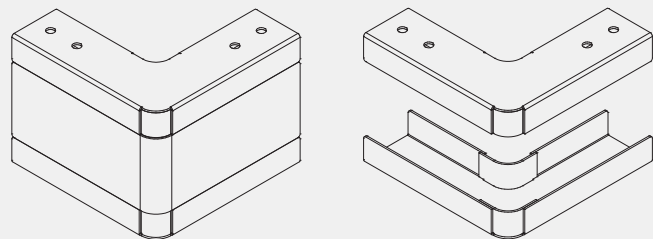
Tuck	Work
Nest	Divide
Coil	Work





2-Way Connector

Connector converts to receive power infeed with the removal of side panels



Jumper's path of travel



GRADIENT | CONNECTORS

STYLES

Connector: End | End-Infeed | End-Powered
Inline-6 | Inline-18 | Inline-36 | 2-Way | 3-Way | 4-Way

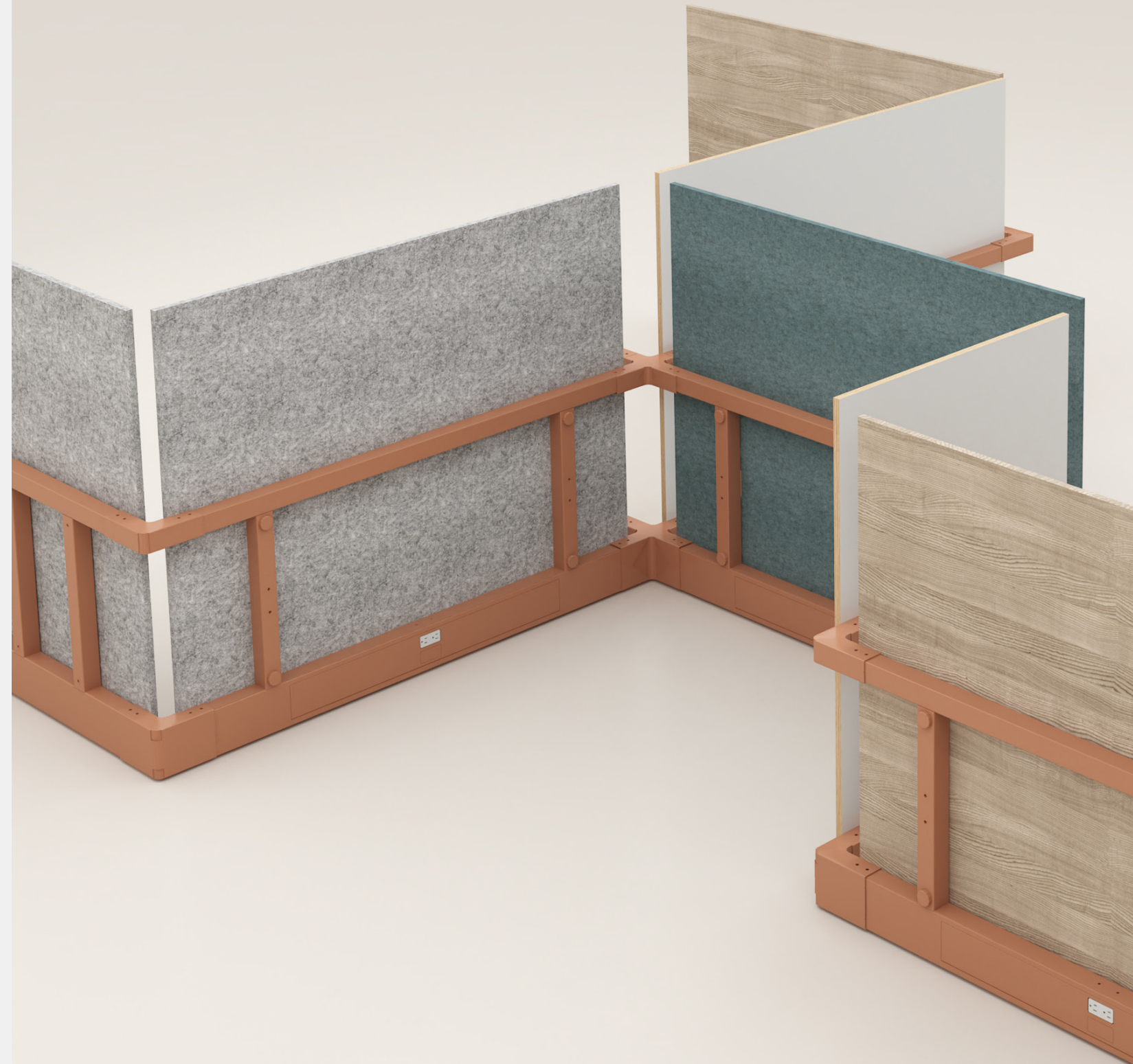
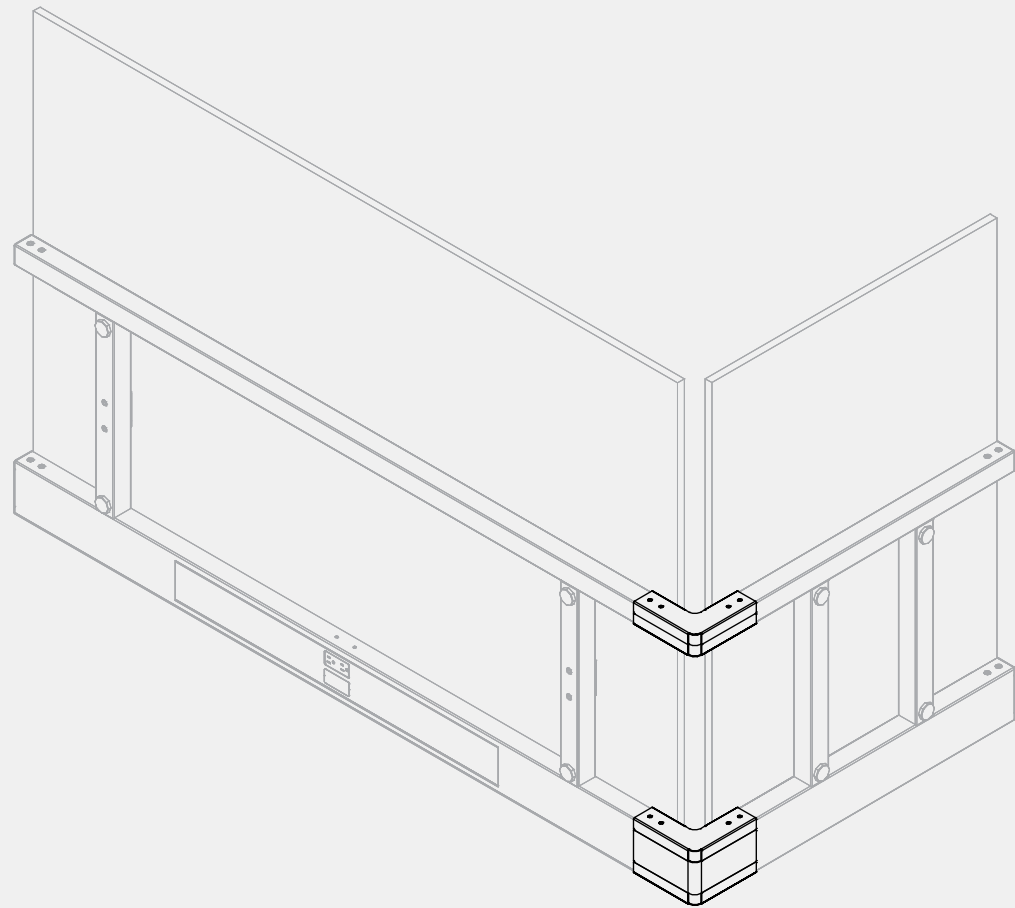
TYPES

End - Powered: (1) Duplex

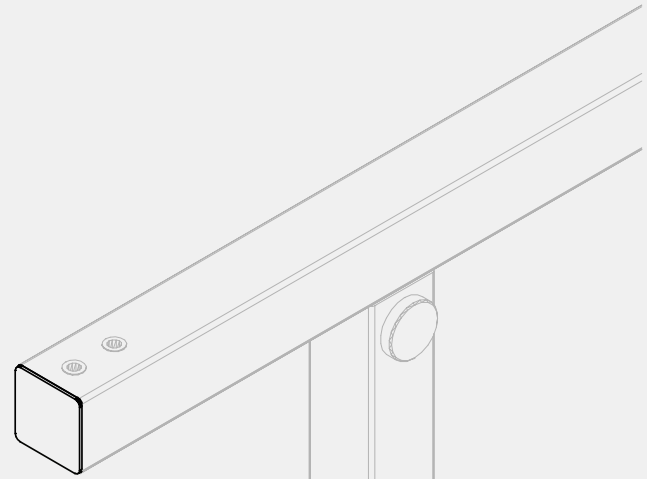
FINISHES (Refer to Pair Palette)

Connector: Metal
Duplex: Black | White

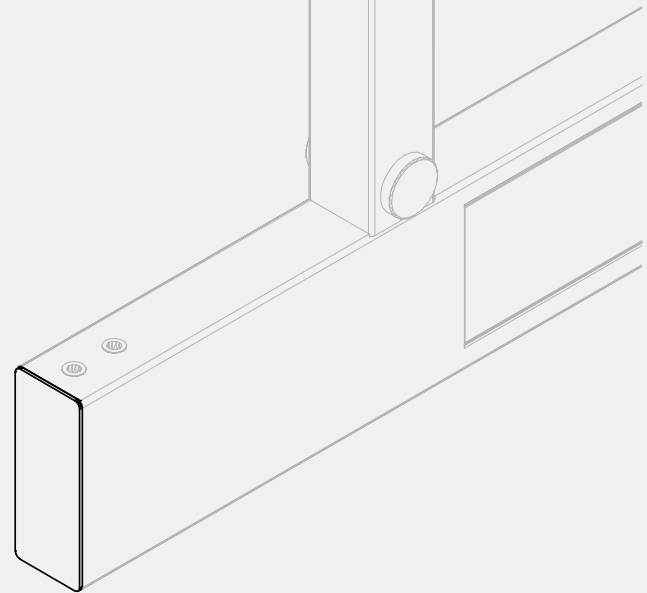
**Only applicable for the End-Powered style Connector*



Upper



Lower



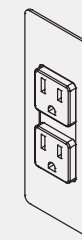
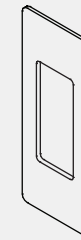
End



End-Infeed



End-Powered



End-Powered Option:
(1) Duplex

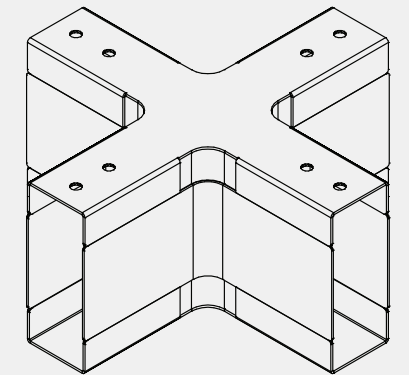
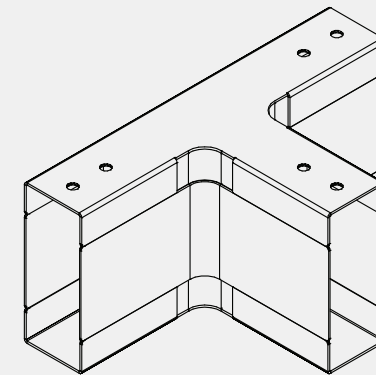
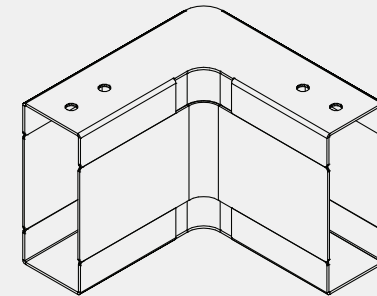
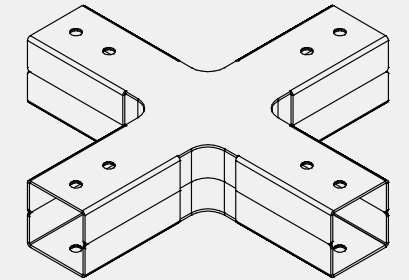
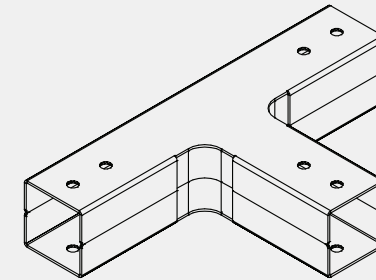
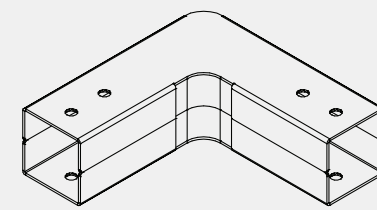
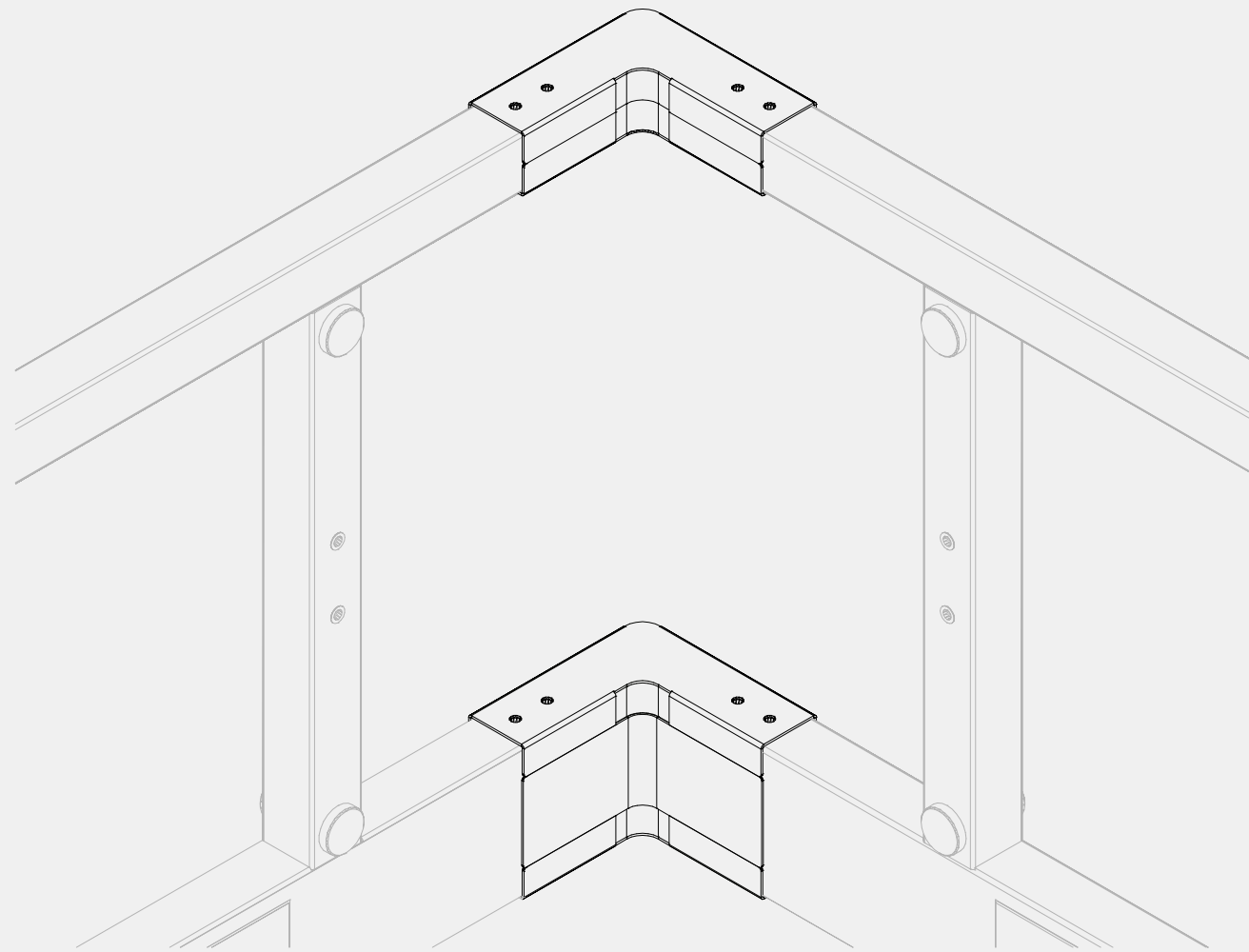
2-Way

3-Way

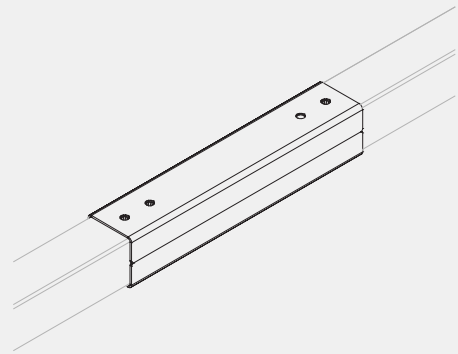
4-Way

Upper

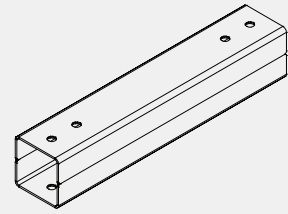
Lower



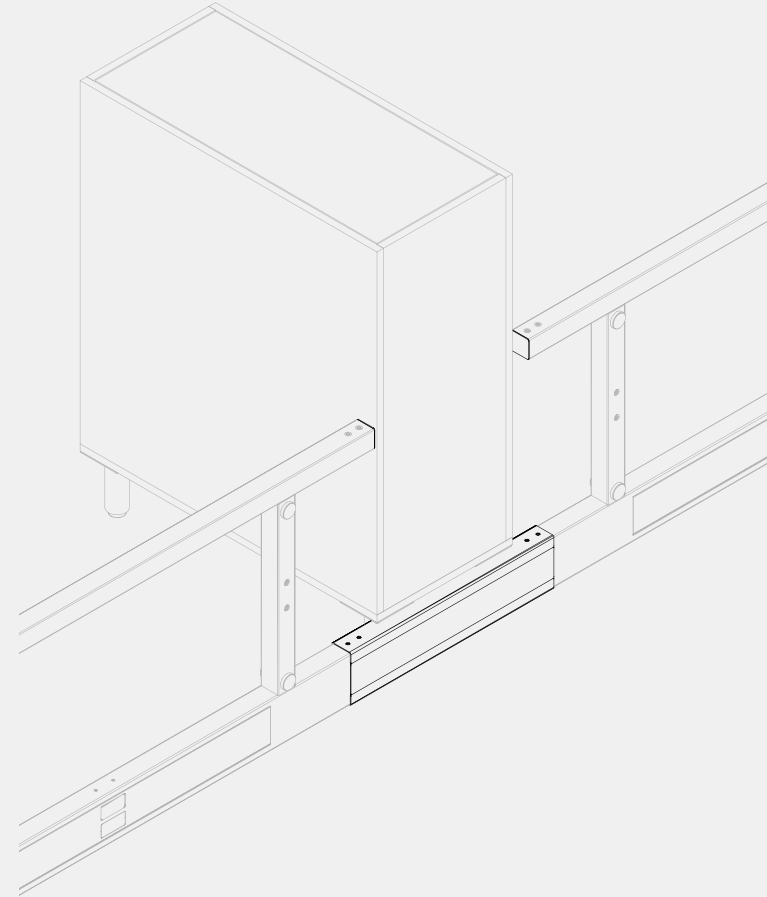
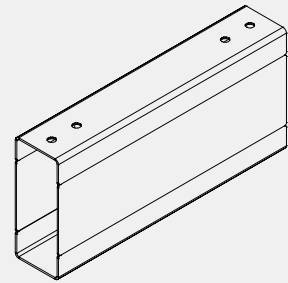
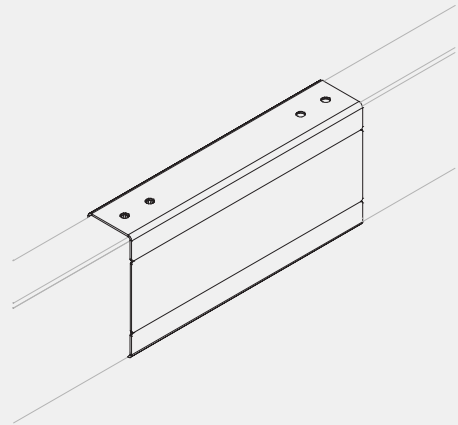
Upper



Inline-6



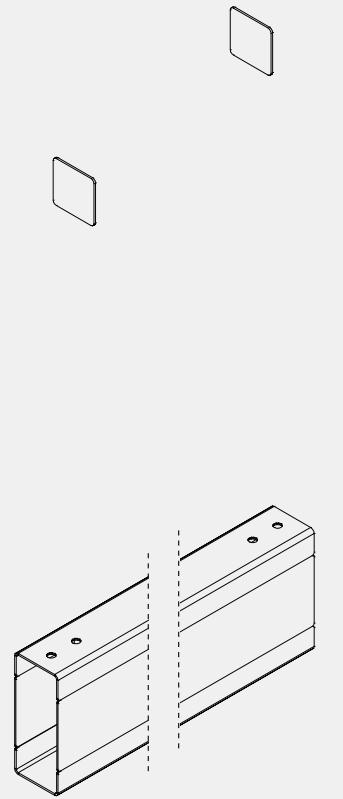
Lower



Inline-18



Inline-36



GRADIENT | SCREENS

DIMENSIONS

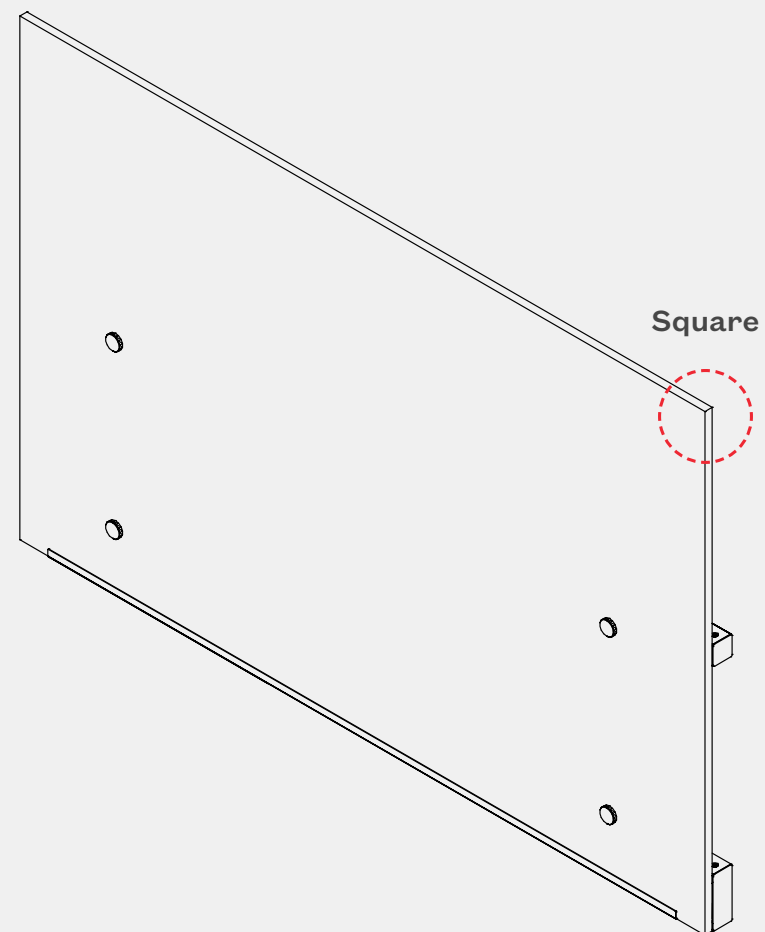
Module: 32 | 60 | 72
Height: 48"H | 54"H | 60"H
Thickness: ~0.75" Thickness

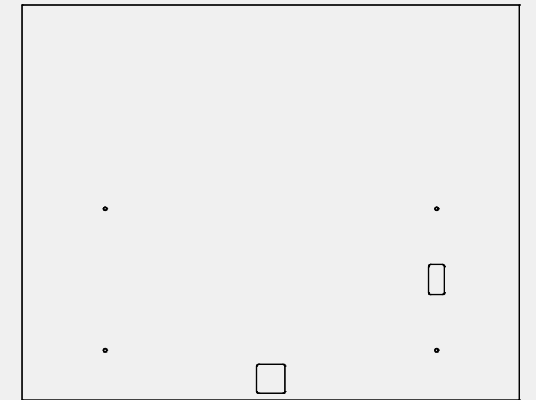
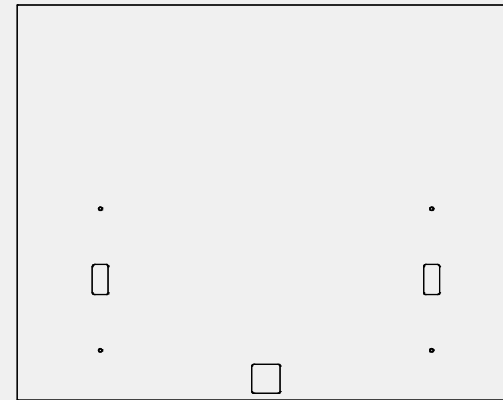
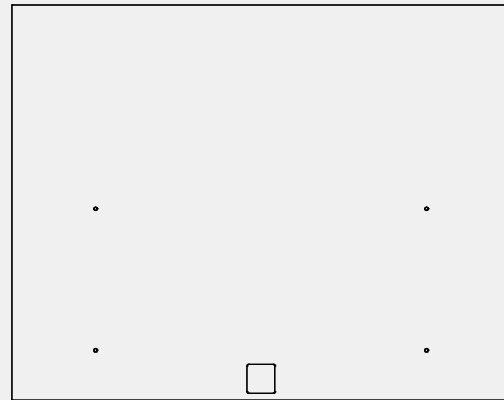
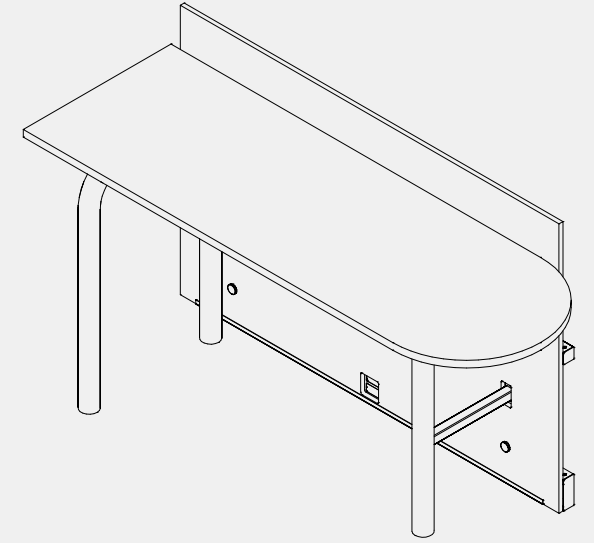
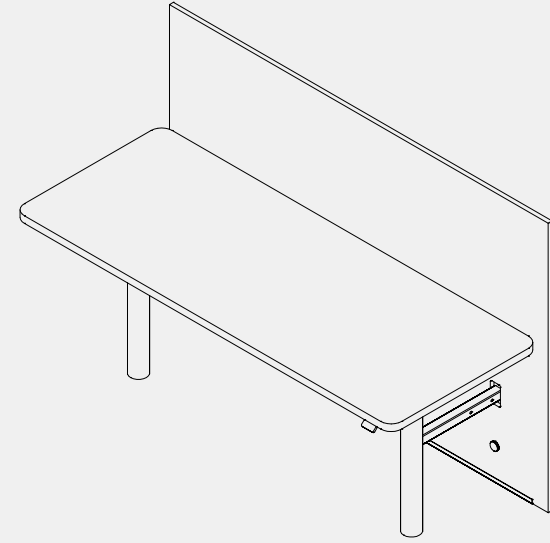
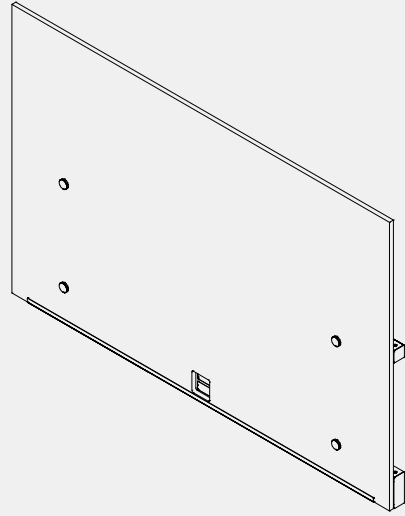
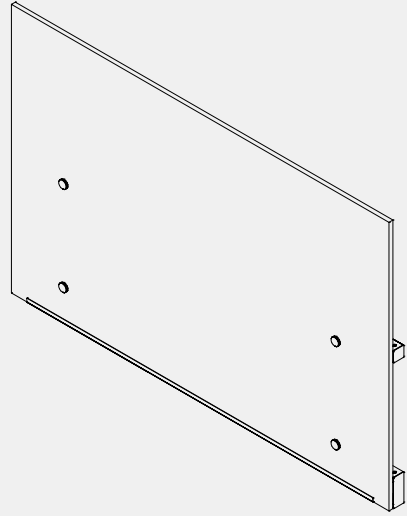
STYLES

Screen: Non-Powered | Powered | Powered-Desk | Powered-Touchdown Table
Corner: Square

FINISHES (Refer to Pair Palette)

Surface: Veneer | Laminate | Writable | PET
Edge Band: Matching | Exposed Baltic Birch Plywood
Channel: Metal





Non-Powered

Powered

Powered-Desk

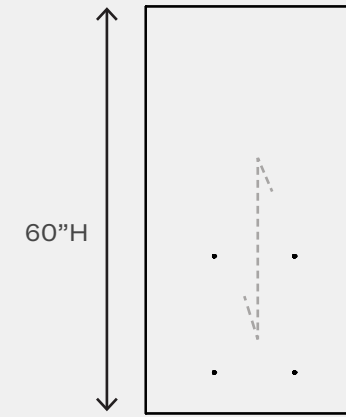
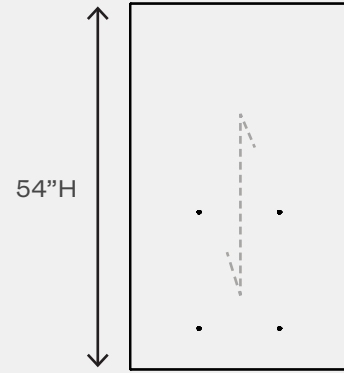
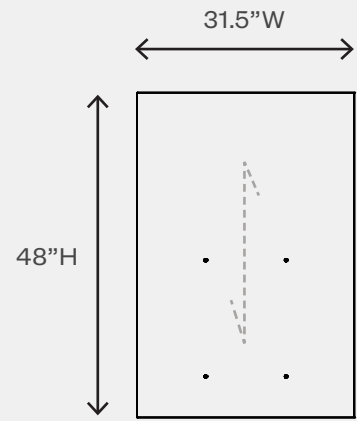
Powered-Touchdown Table

Orientation interchangeable for left and right handed configurations

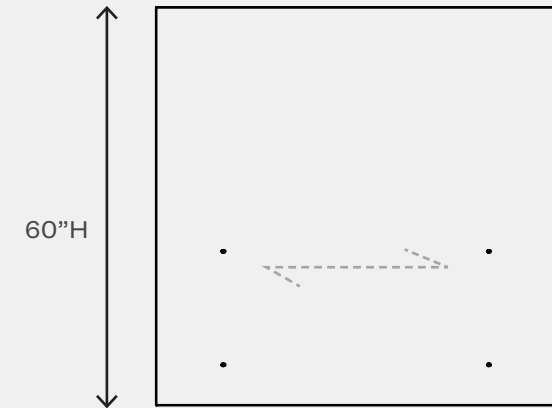
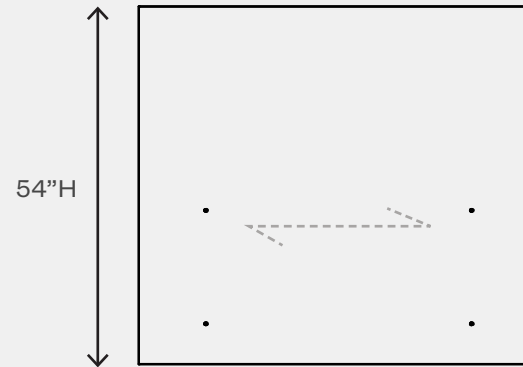
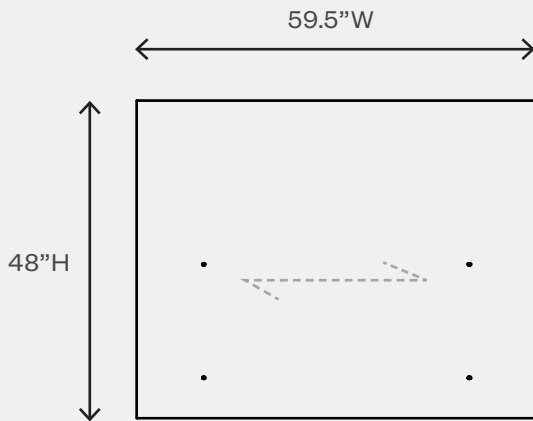
GRADIENT | SCREENS

Arrows indicate grain direction on Laminate or Veneer panels

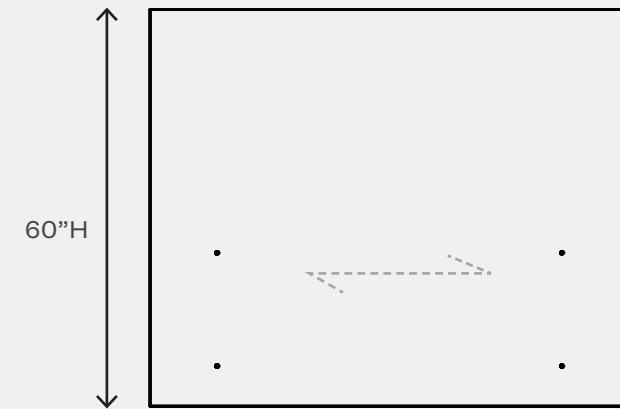
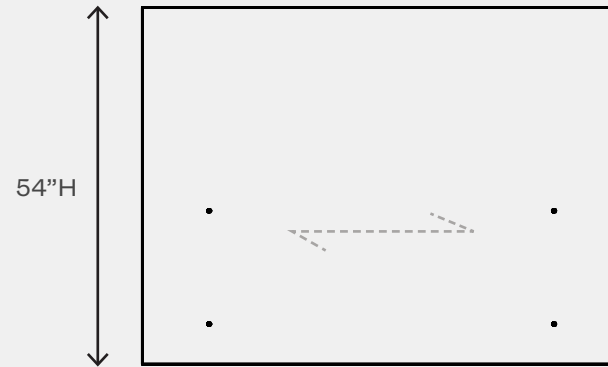
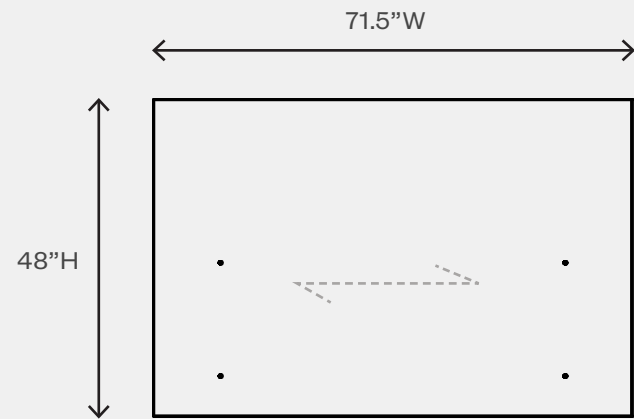
Module 32



Module 60



Module 72



GRADIENT | ACCESSORIES

HANGING BOARD

DIMENSIONS

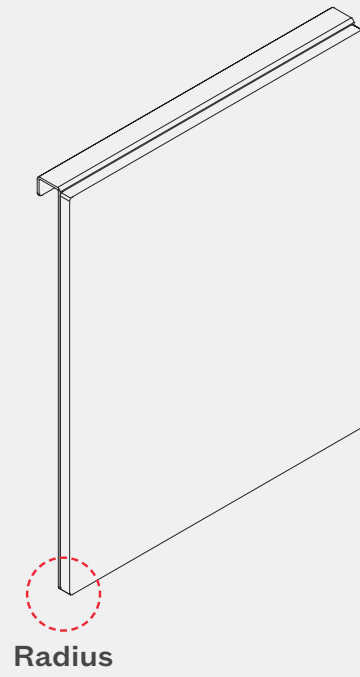
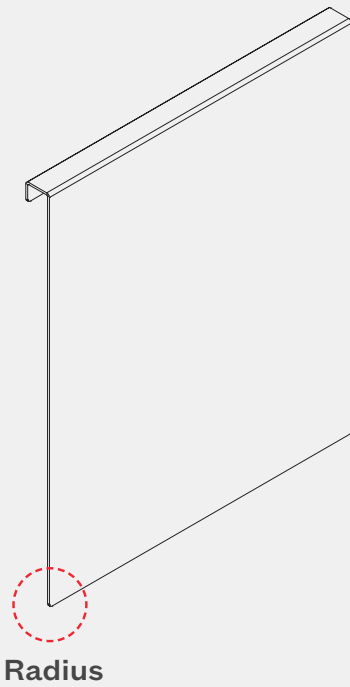
Width: 12"W
Height: 14"H
Depth: 1"D

STYLES

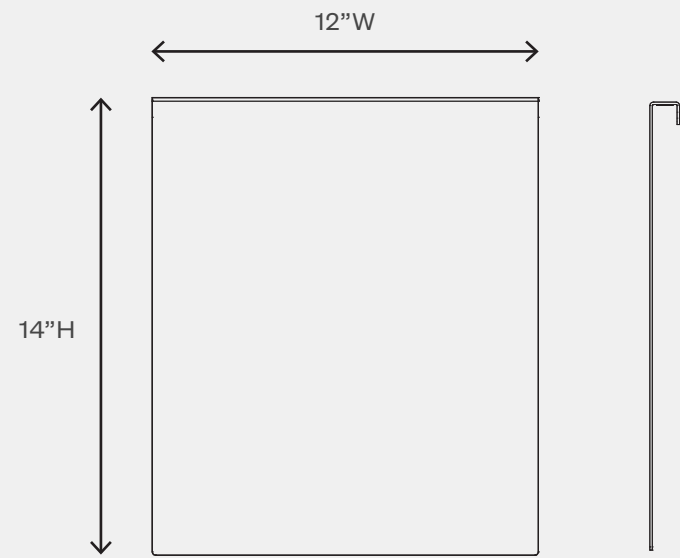
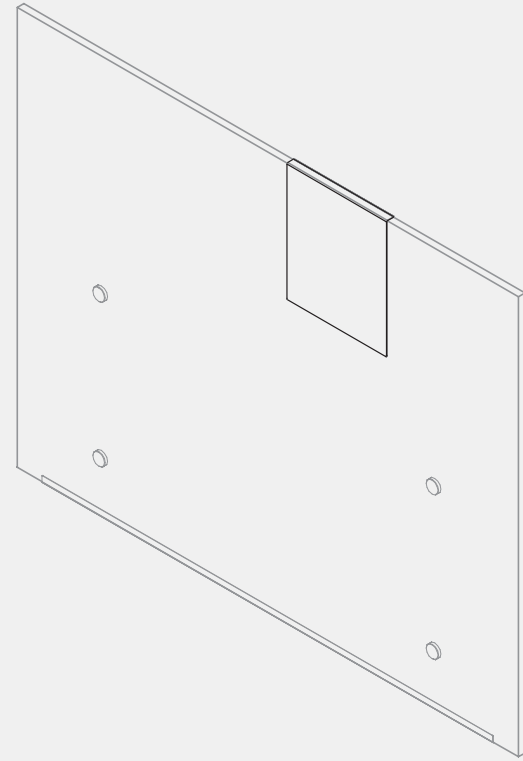
Surface: Magnetic Dry-Erase | Tackable
Corner: Radius

FINISHES (Refer to Pair Palette)

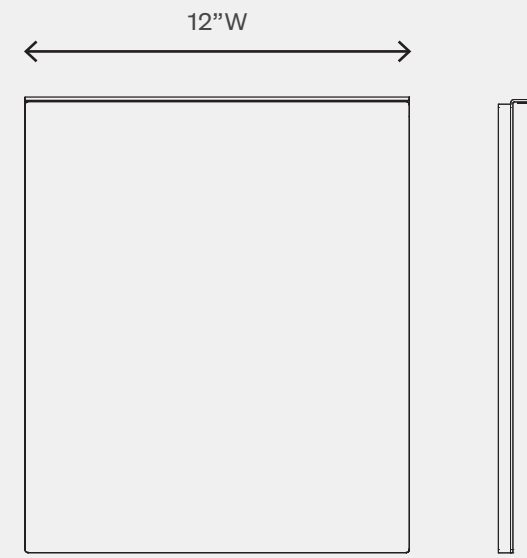
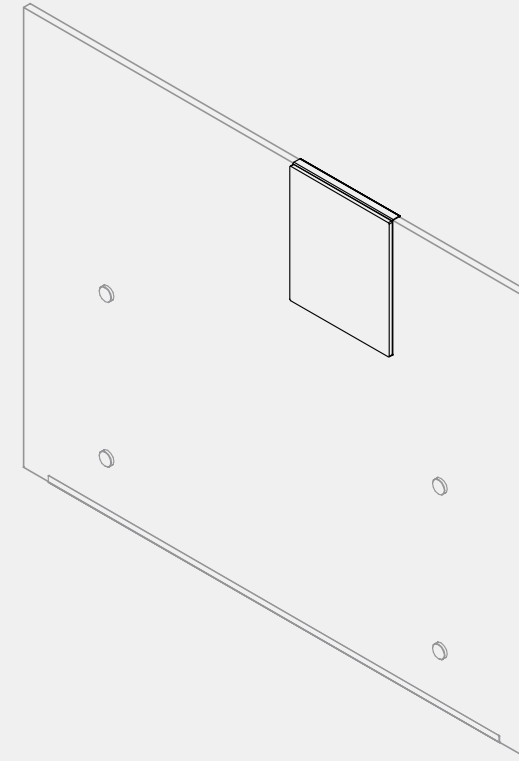
Surface: Metal (magnetic dry-erase) | PET (tackable)



HANGING BOARD



Hanging Board - Magnetic Dry-Erase



Hanging Board - Tackable

GRADIENT | TABLES

DESK

Gradient Beam required

DIMENSIONS

Surface Width: 59.5"W | 71.5"W
Surface Depth: 28"D
Surface Thickness: 1.25" Thickness
Base Height Adjustment: 3-Stage: 24.05"H - 49.65"H
(Excluding Surface)

STYLES

Surface Corner: Square | Radius
Height Adjustment Control: Memory (3-Presets)

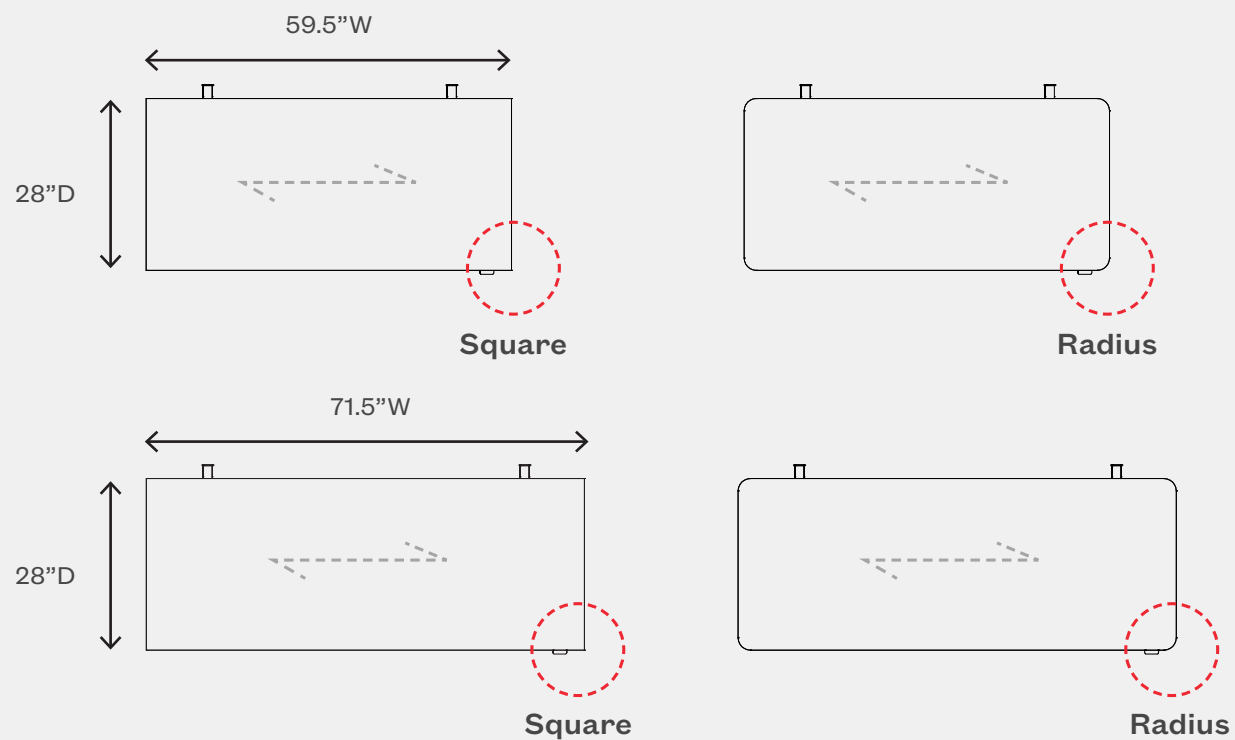
DESIGN DETAILS

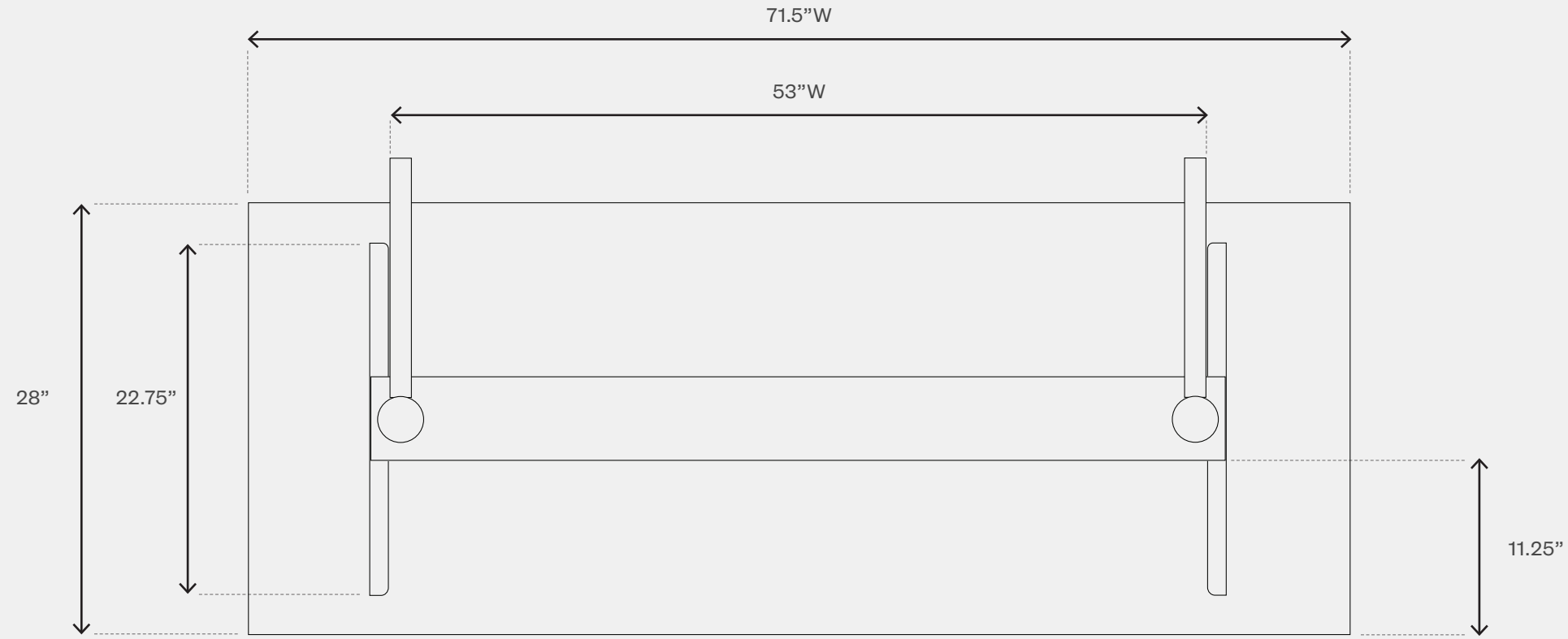
Glide: 1.5" Leveler
Weight Capacity: 275 LBS

Exclusive of surface. Surface weight dependent on module and material selection.

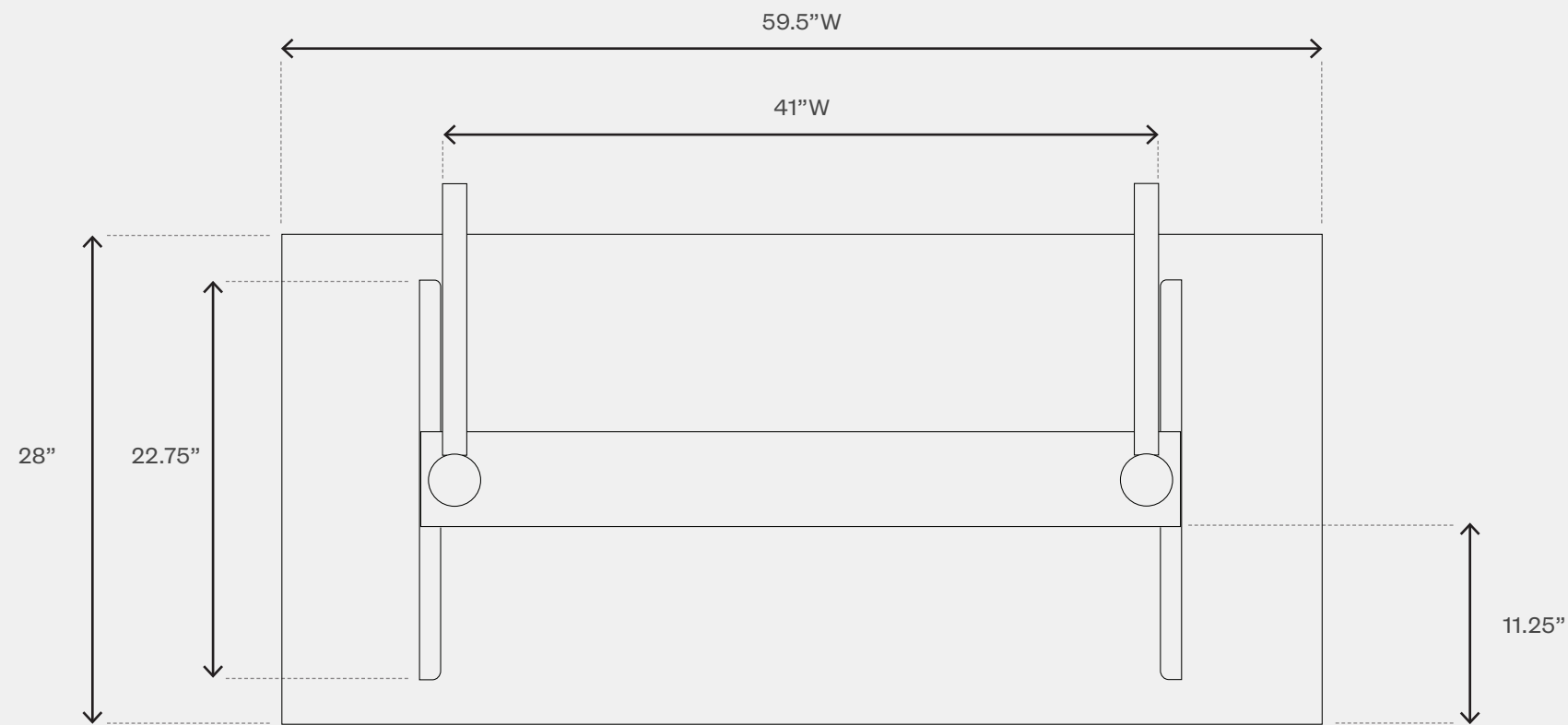
FINISHES (Refer to Pair Palette)

Surface: Veneer | Laminate
Surface Edge Band: Matching | Exposed Baltic Birch Plywood
Base: Midnight Matte | Ghost Gloss

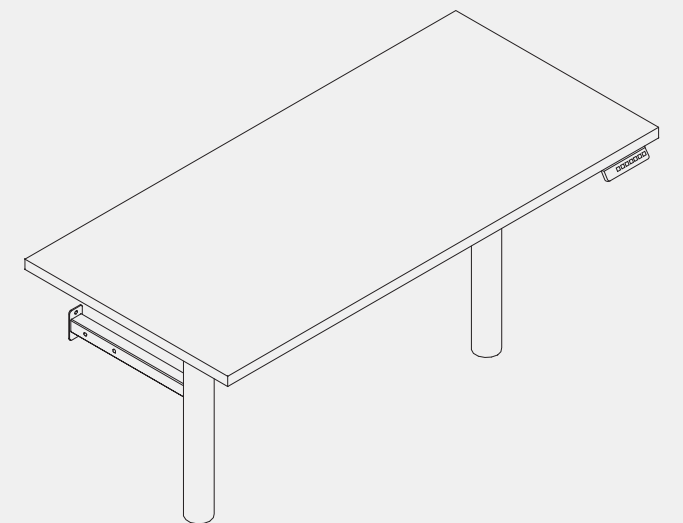




72W Module



60W Module



**shown at the recommended installation location*

GRADIENT | TABLES

TOUCHDOWN TABLE

Gradient Module 72 Beam required

DIMENSIONS

Surface Width:	84"W
Surface Depth:	28"D
Surface Thickness:	1.25" Thickness
Overall Height:	42"H (bar)

STYLES

Surface Shape:	D-Top
Surface Corner:	Square

DESIGN DETAILS

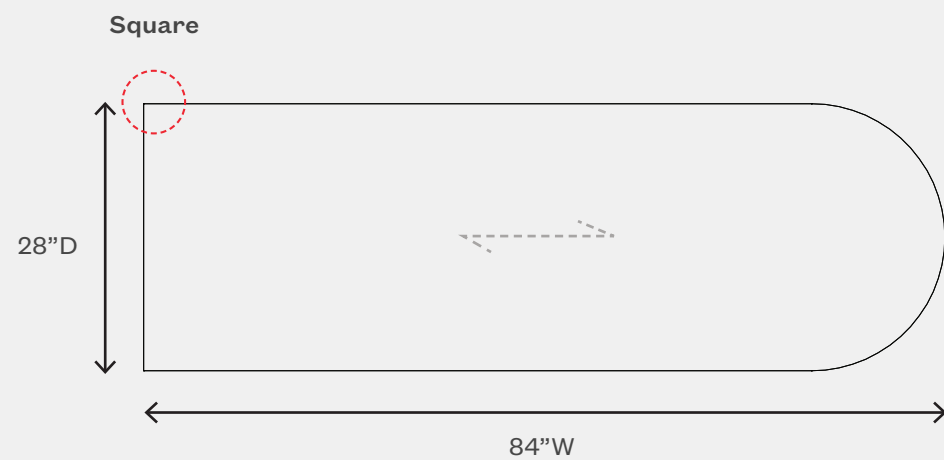
Glide:	1.5" Leveler
--------	--------------

FINISHES (Refer to Pair Palette)

Surface:	Veneer Laminate
Surface Edge Band:	Matching Exposed Baltic Birch Plywood
Base:	Metal

PERFECT PAIRING

Byrne Trippel	Power Accessory
---------------	-----------------



GRADIENT | TABLES

CHROMA MEETING TABLE

DIMENSIONS

Surface Width: 59.5"W
Surface Depth: 59.5"D
Surface Thickness: 1.25" Thickness
Overall Height: 29"H (seated)

STYLES

Surface Shape: D-Top
Surface Corner: Radius

DESIGN DETAILS

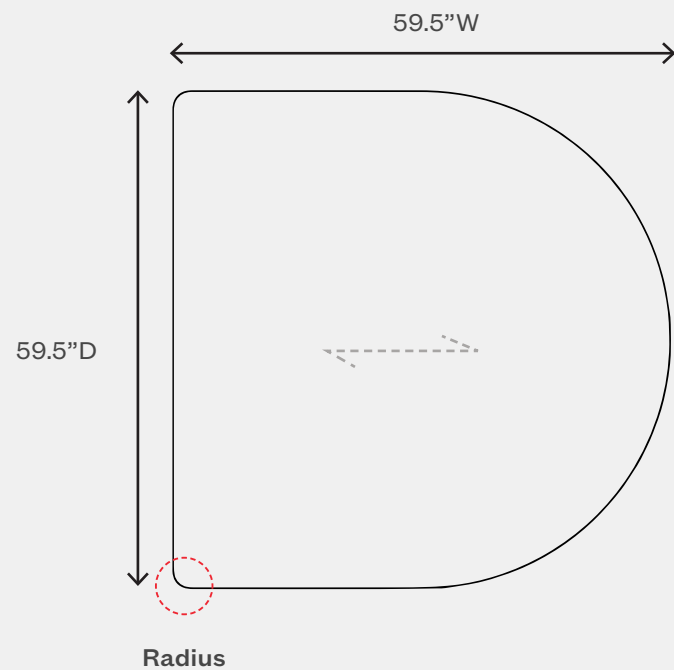
Glide: 1.5" Leveler

FINISHES (Refer to Pair Palette)

Surface: Veneer | Laminate
Surface Edge Band: Matching | Exposed Baltic Birch Plywood
Base: Metal

PERFECT PAIRING

Byrne Trippel Power Accessory



GRADIENT | TABLES

CHROMA SHARED TABLE

DIMENSIONS

Surface Width:	59.5"W
Surface Depth:	66"D
Surface Thickness:	1.25" Thickness
Overall Height:	29"H (seated)

STYLES

Surface Corner:	Square Radius
-----------------	-----------------

DESIGN DETAILS

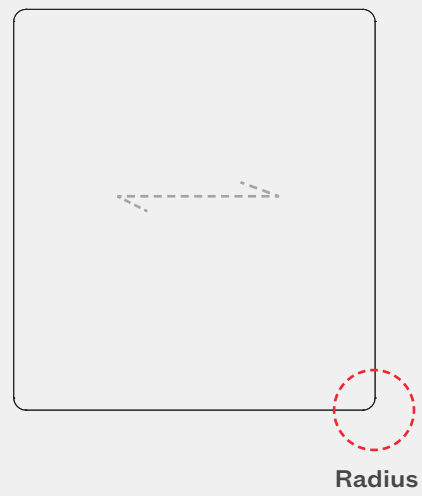
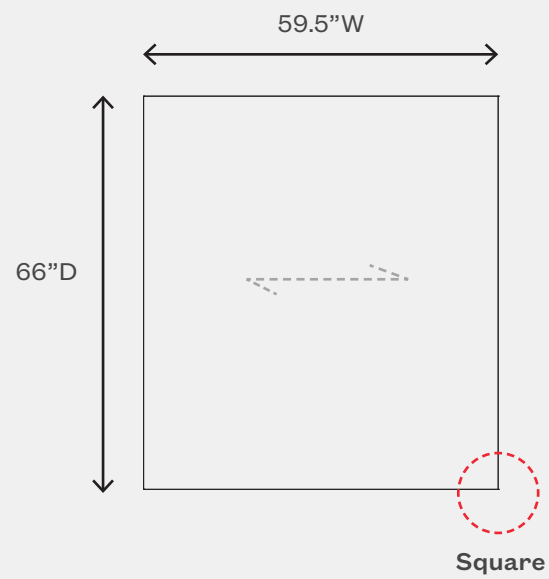
Glide:	1.5" Leveler
--------	--------------

FINISHES (Refer to Pair Palette)

Surface:	Veneer Laminate
Surface Edge Band:	Matching Exposed Baltic Birch Plywood
Base:	Metal

PERFECT PAIRING

Byrne Trippel	Power Accessory
---------------	-----------------



GRADIENT | TABLES

POWER INFEED SLEEVE

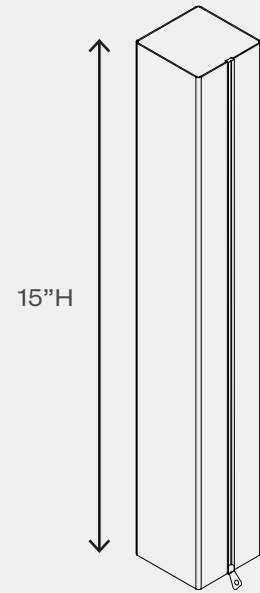
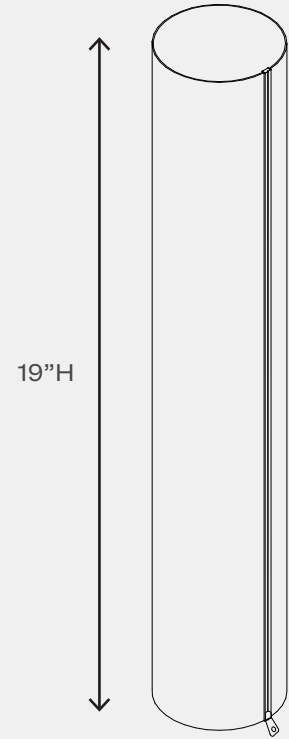
DIMENSIONS

Length: 15”L | 19”L

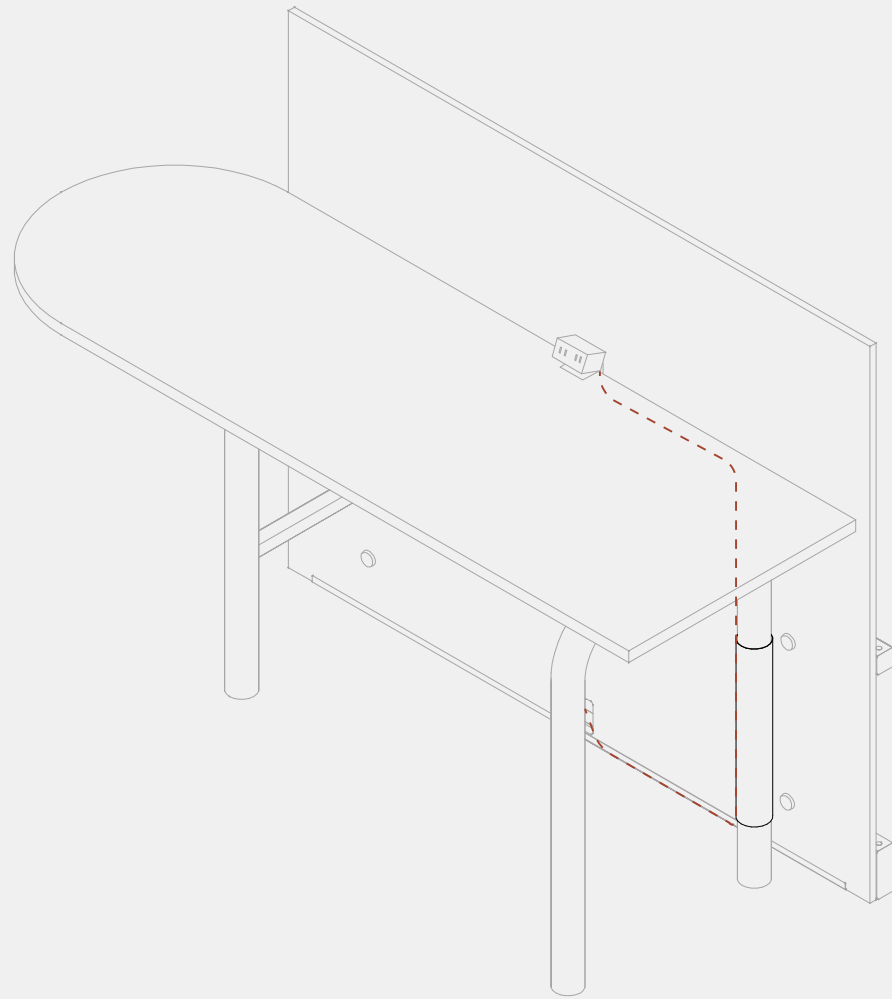
FINISHES (Refer to Pair Palette)

Power Infeed Sleeve: Wool

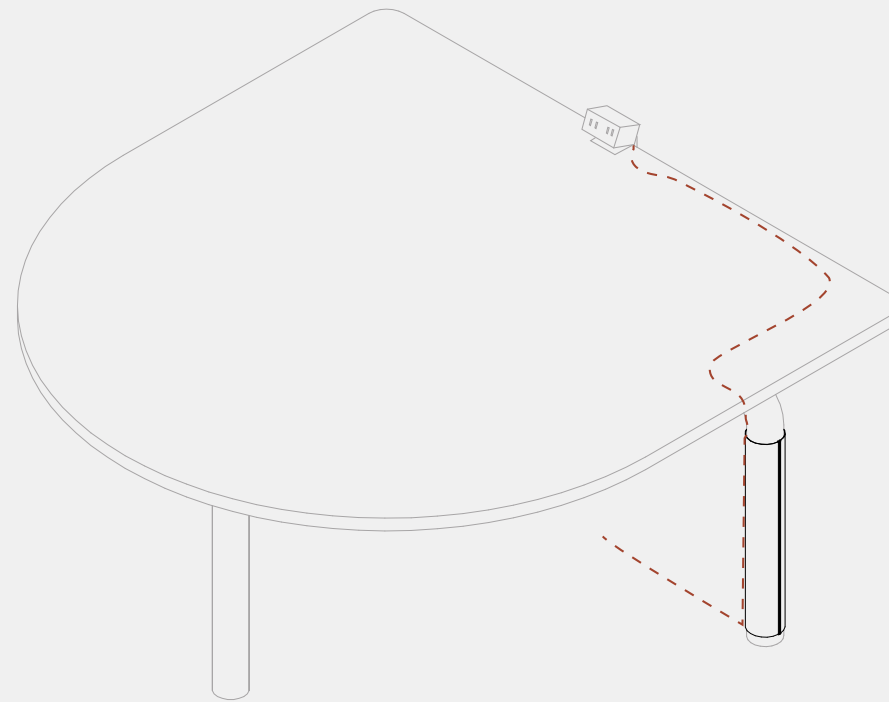
Power Infeed Sleeve Zipper: Black



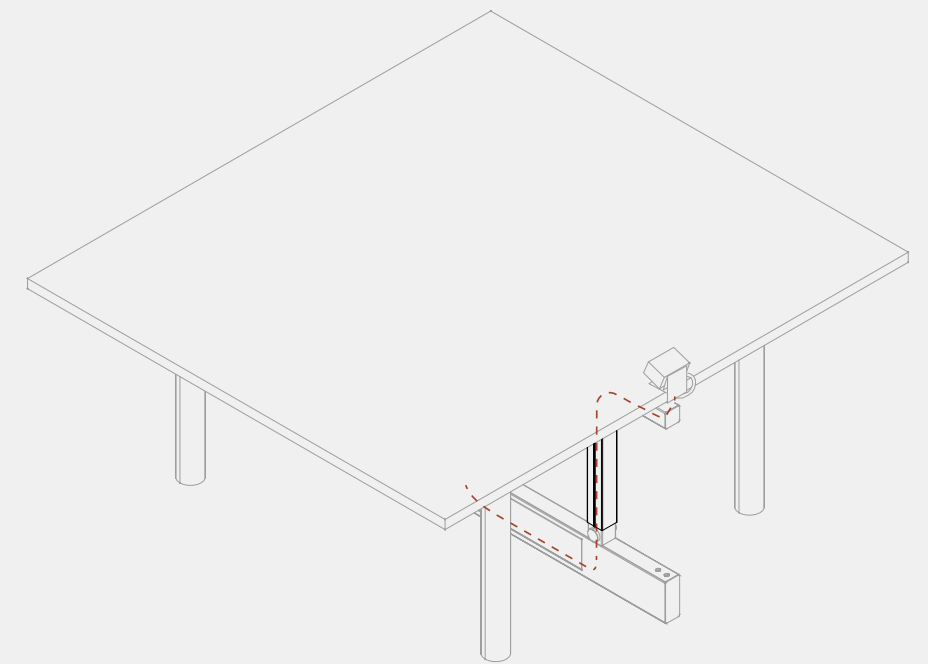
POWER INFEED SLEEVE



Gradient Touchdown Table
Compatible with 19"L Power Infeed Sleeve



Chroma Meeting Table
Compatible with 19"L Power Infeed Sleeve



Chroma Shared Table with Beam
Compatible with 15"L Power Infeed Sleeve

GRADIENT | HUE STORAGE

DIMENSIONS

Width:	34"W
Depth:	15.5"D
Height:	42"H*

*Dimension exclusive of optional 12"H Frame

STYLES

Store:	Enclosed Cubby Enclosed Shelf Pull Out Cubby
Top Style:	Surface Surface with Frame Planter* Planter with Frame*

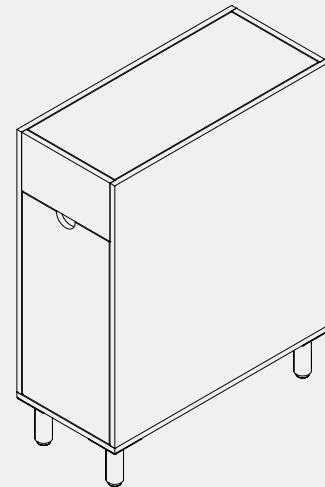
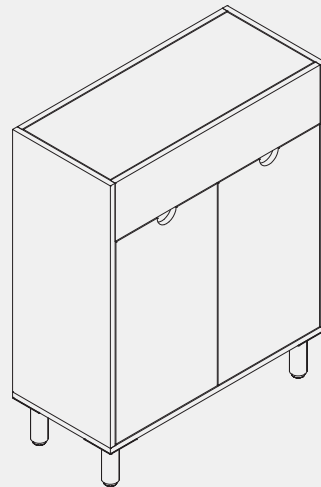
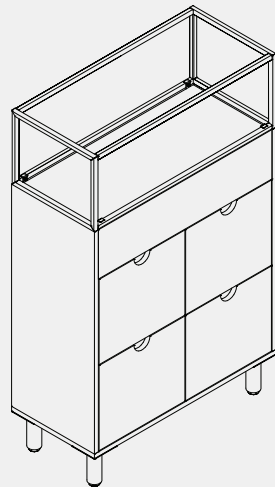
*Planter liner included

DESIGN DETAILS

Pull:	Integrated
Hinge:	Self Close
Lock:	Non-Locking (locks upon request)
Glide:	1.5" Leveler

FINISHES (Refer to Pair Palette)

Frame:	Metal
Planter Liner:	ABS Plastic; Black
Case:	Veneer Laminate
Case Edge Band:	Matching
Door:	Veneer Laminate
Door Edge:	Exposed Baltic Birch Plywood
Base:	Metal
Accessory Shelf:	Metal

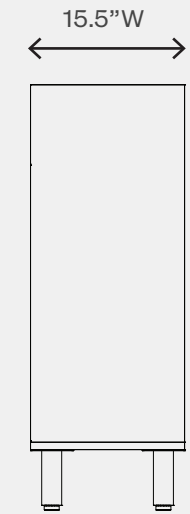
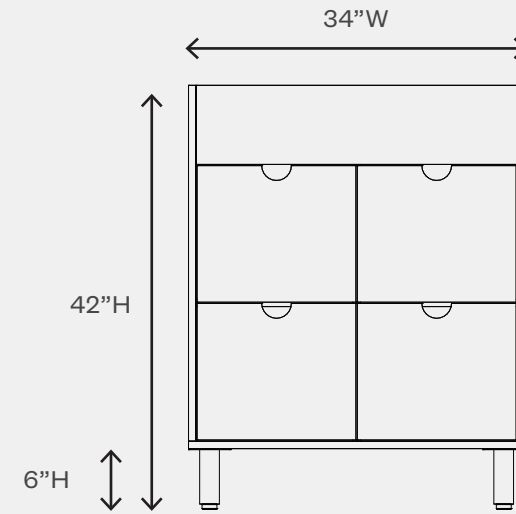
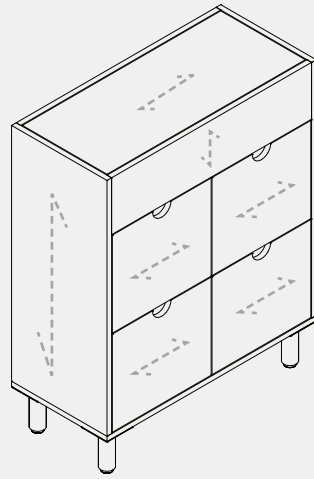


GRADIENT | HUE STORAGE

ENCLOSED CUBBY

Interior Dimension:

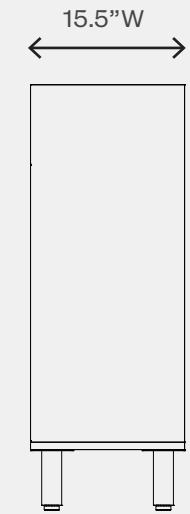
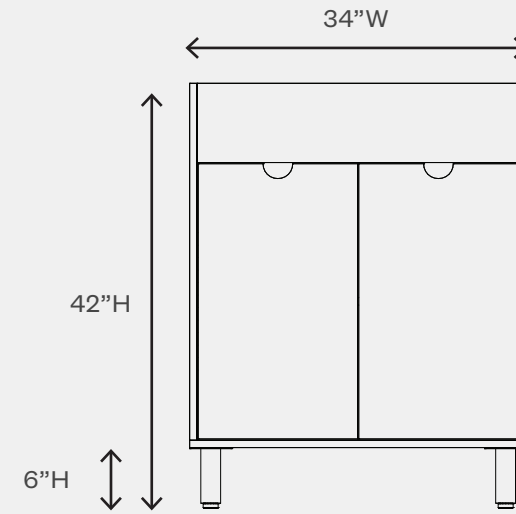
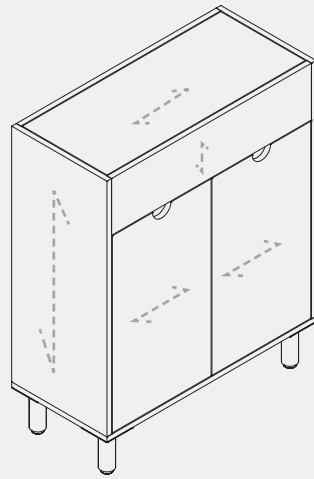
15.5"W x 13.75"D x 13.5"H



ENCLOSED SHELF

Interior Dimension:

32.5"W x 13.75"D x 28"H



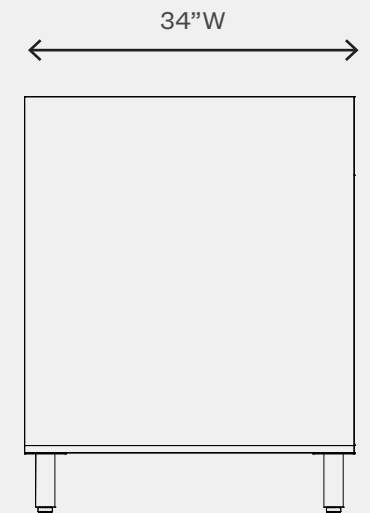
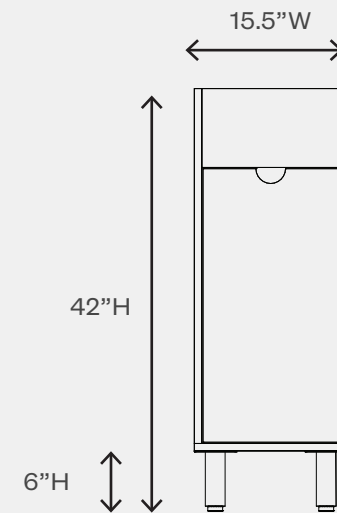
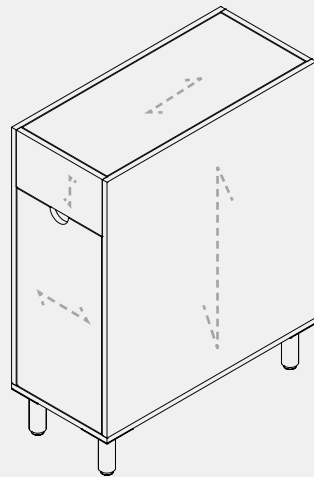
PULL OUT CUBBY

Interior Dimension:

14"W x 13.8"D x 28"H

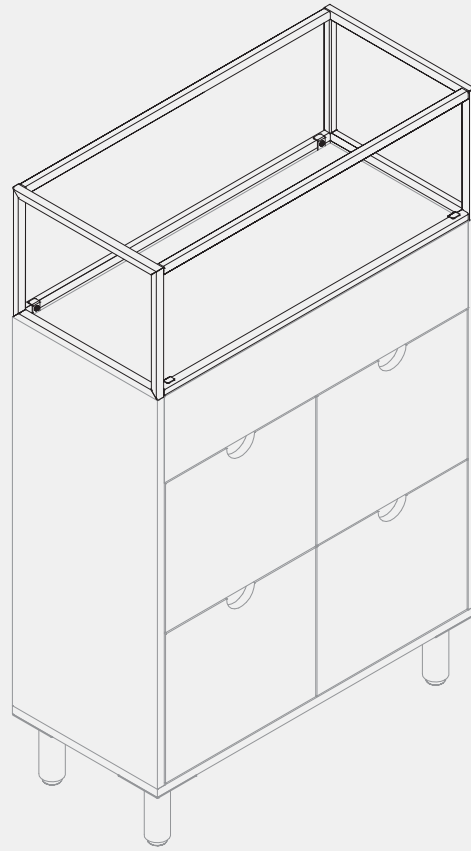
Drawer Weight Capacity:

50 LBS

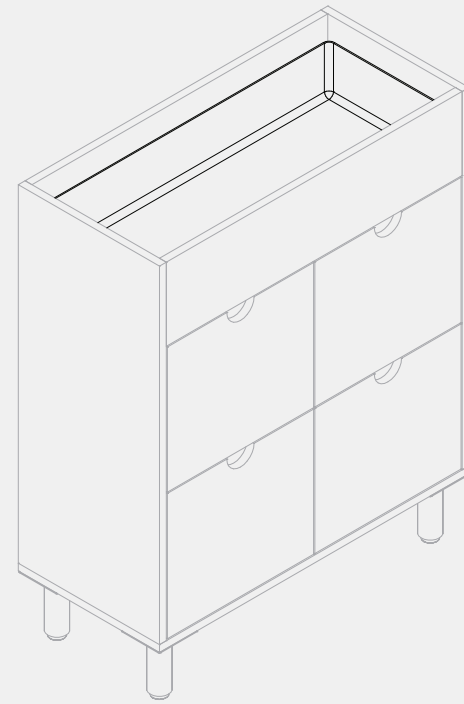




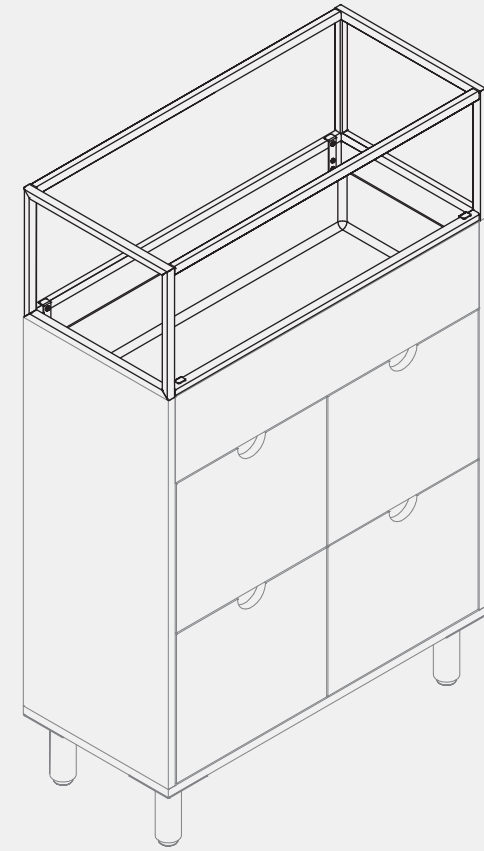
Surface



Surface + Frame



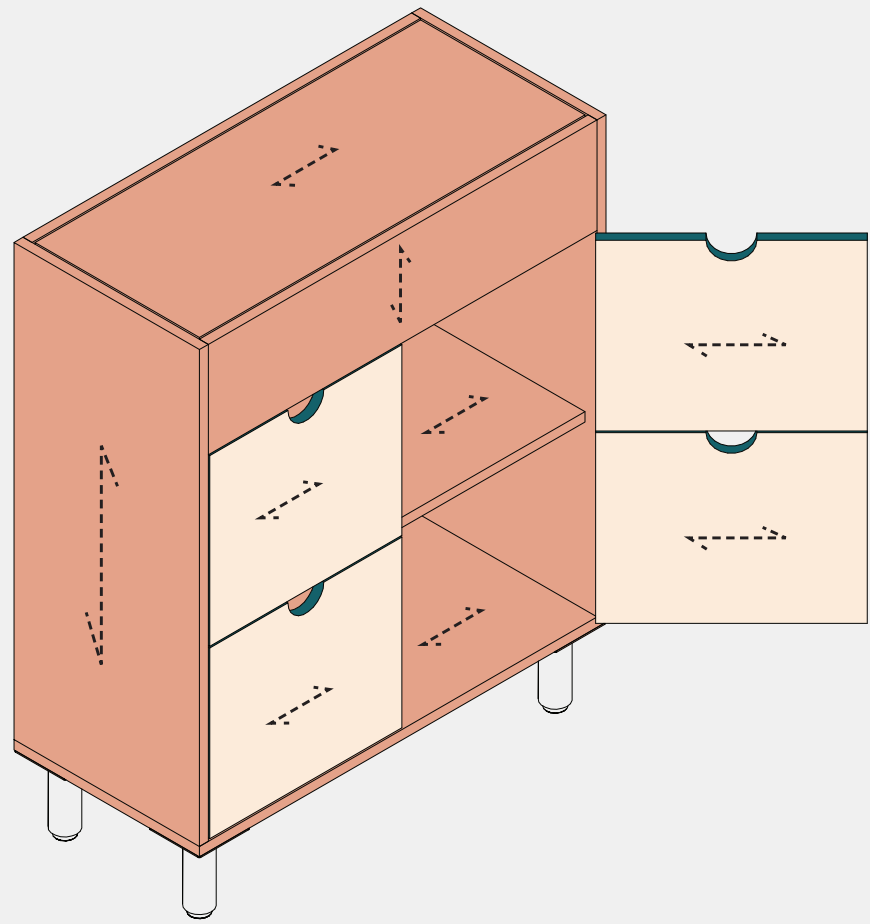
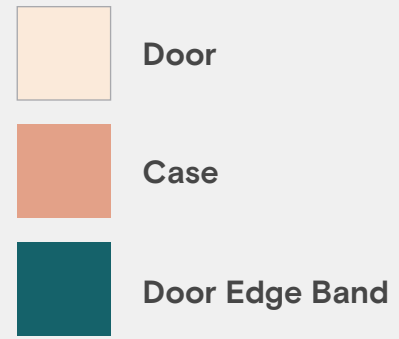
Planter



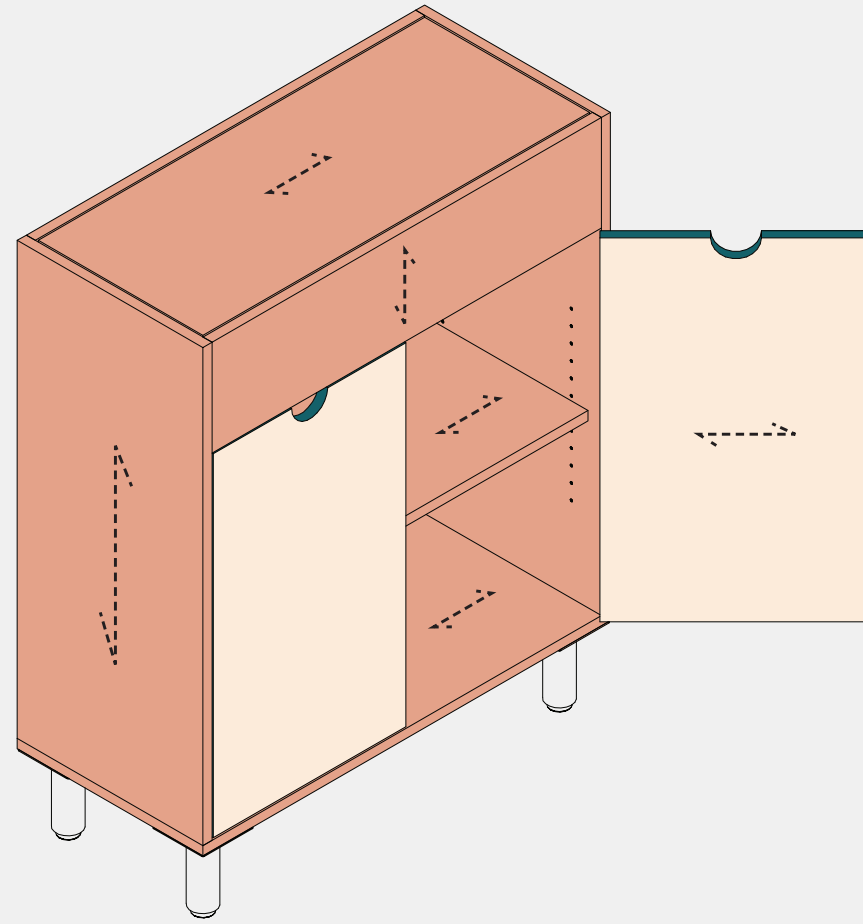
Planter + Frame

GRADIENT | HUE STORAGE

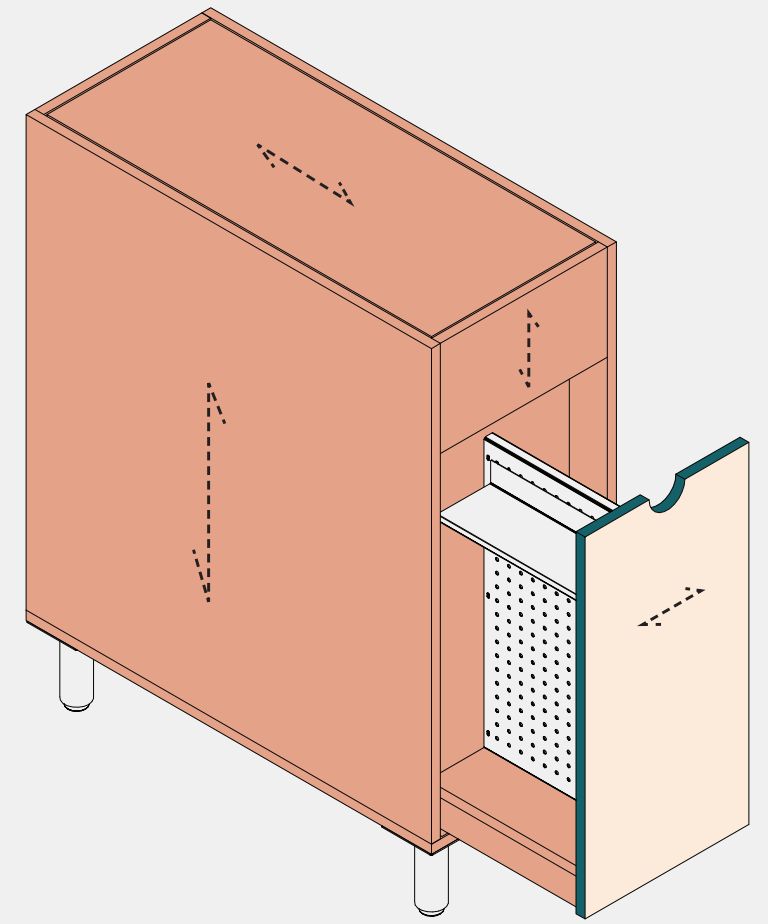
FINISH DETAILS



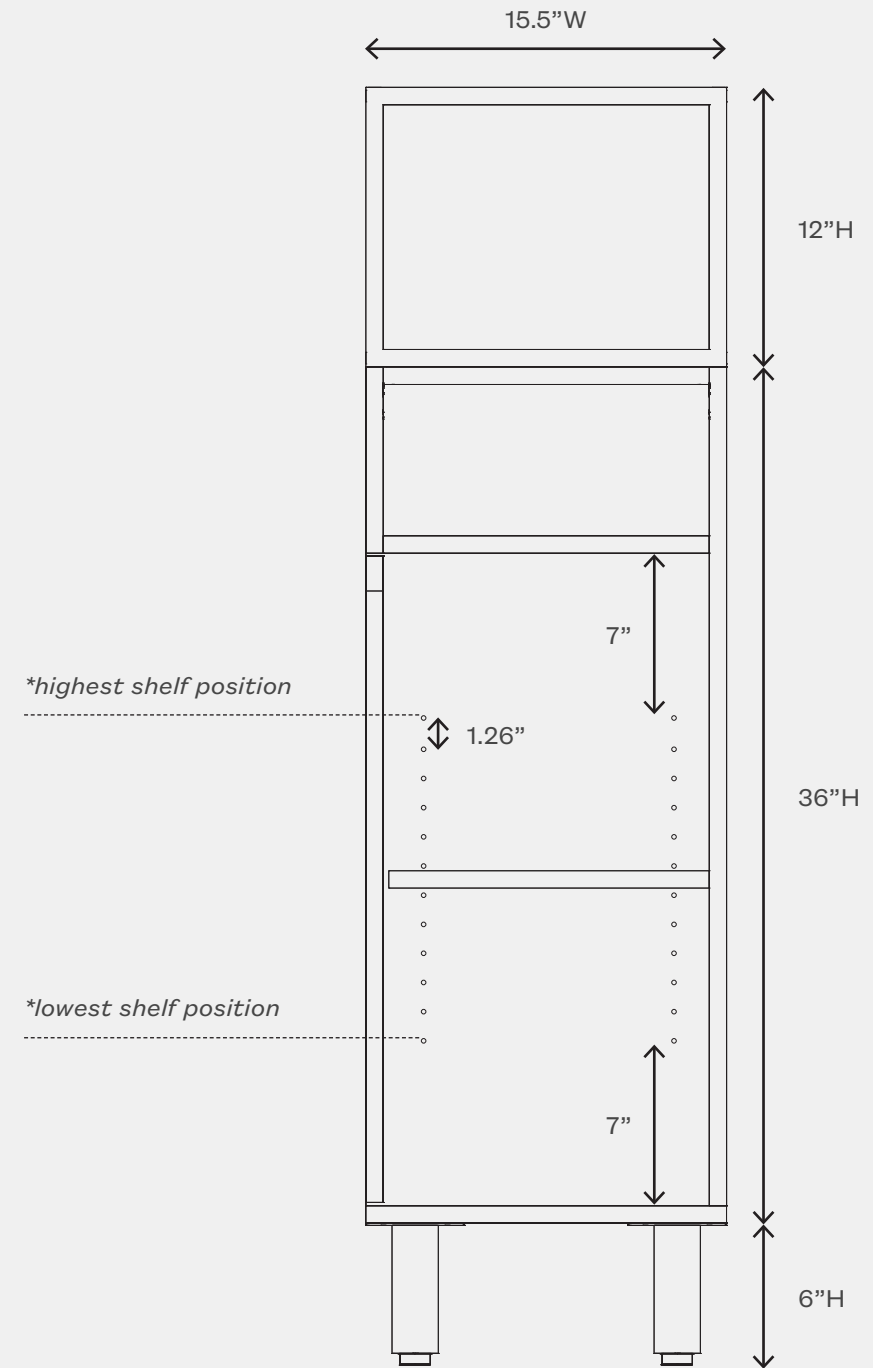
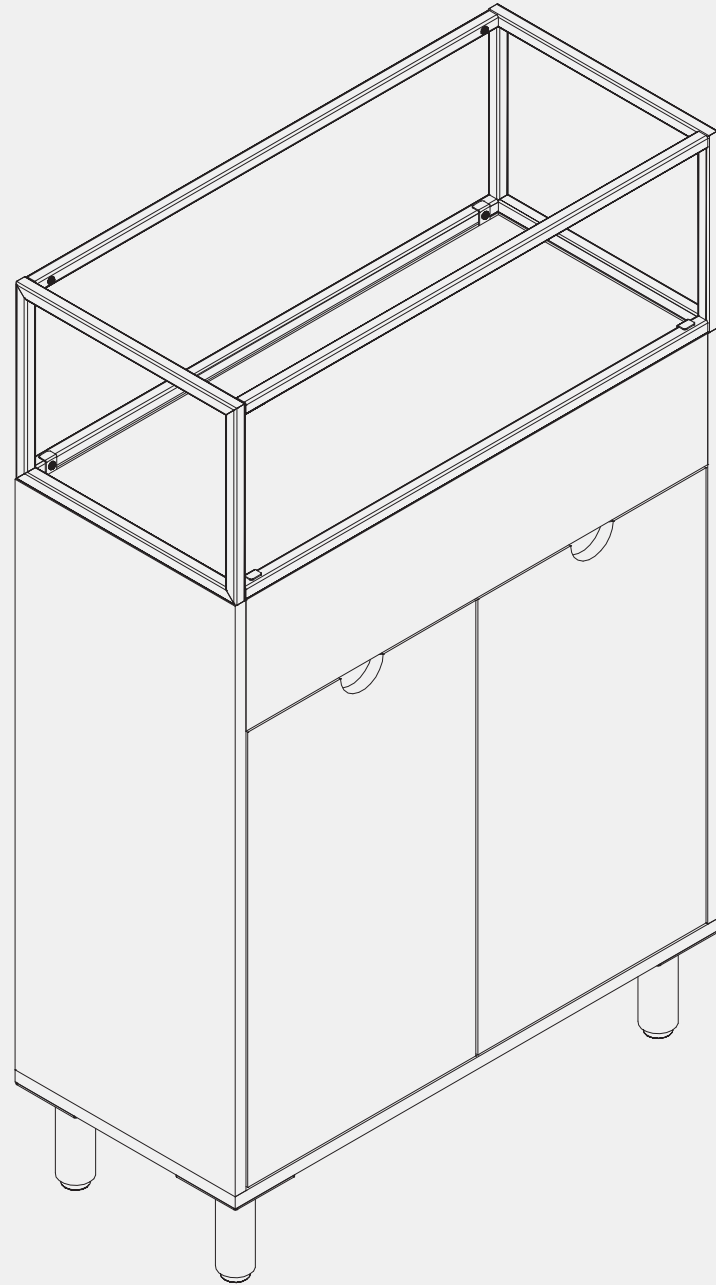
Enclosed Cubby

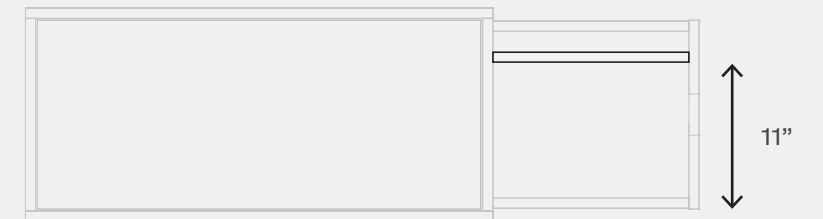
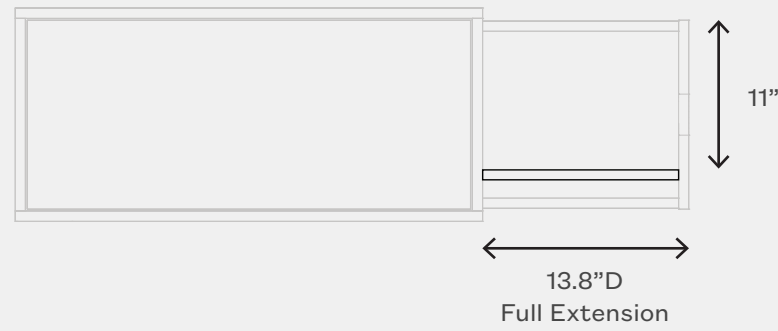
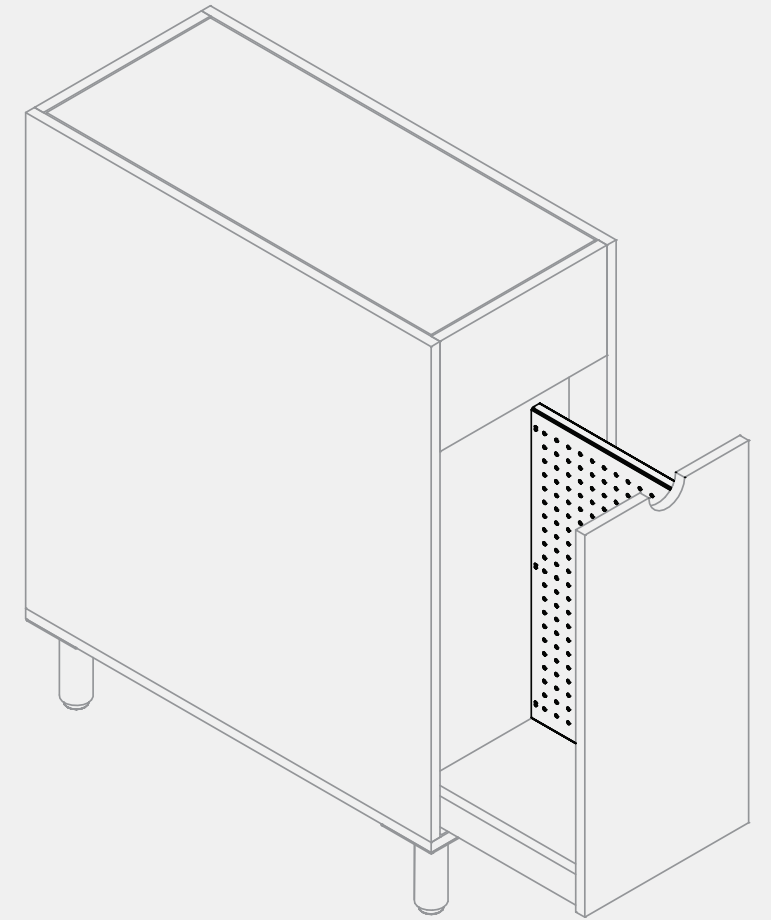
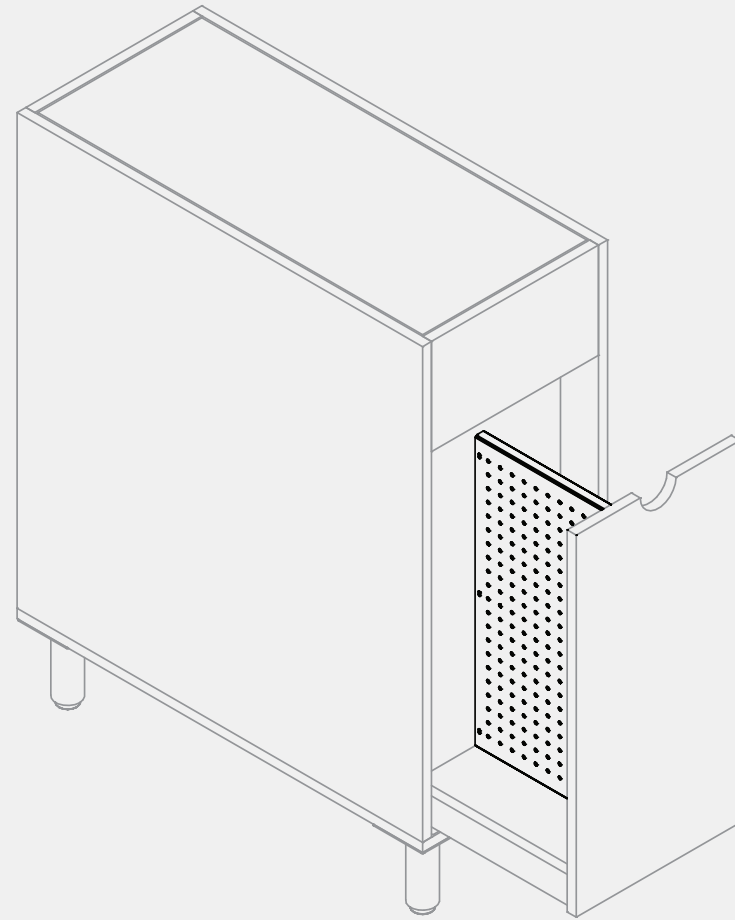
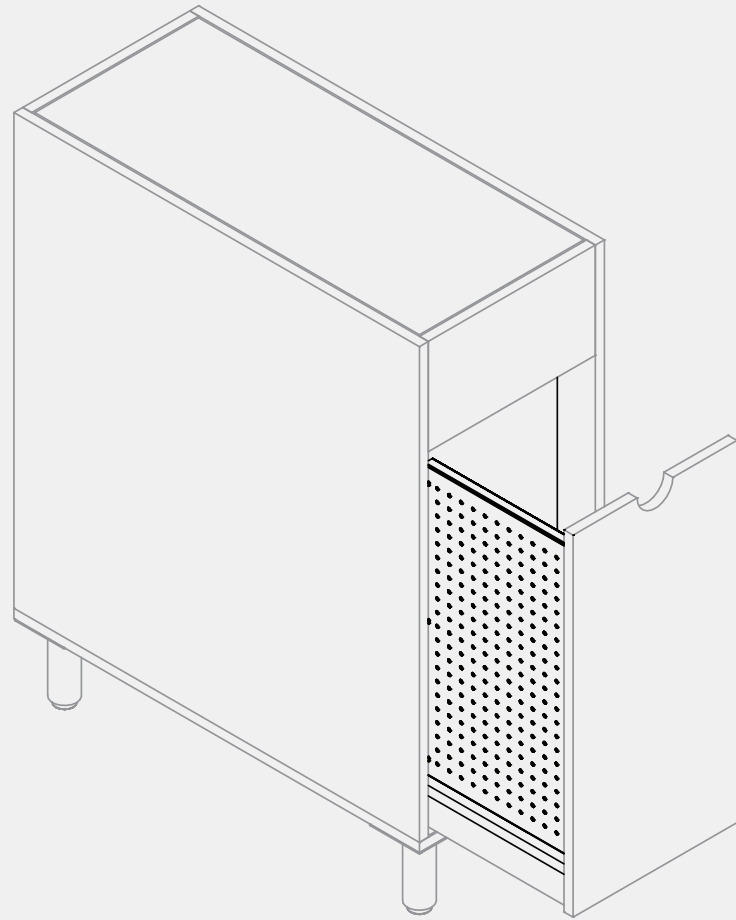


Enclosed Shelf



Pull Out Cubby



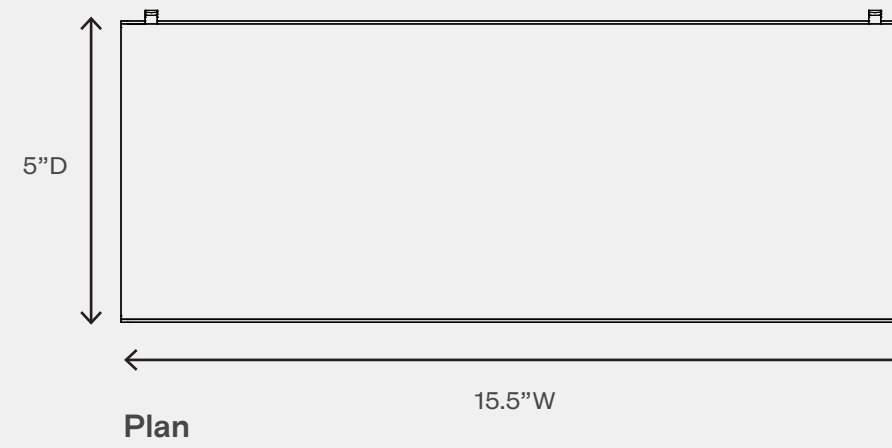
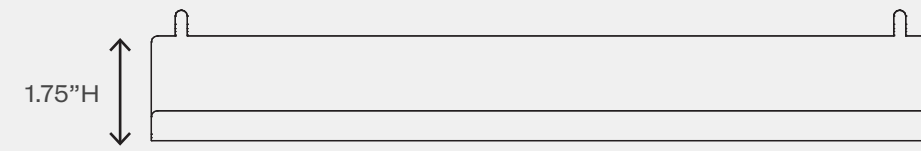
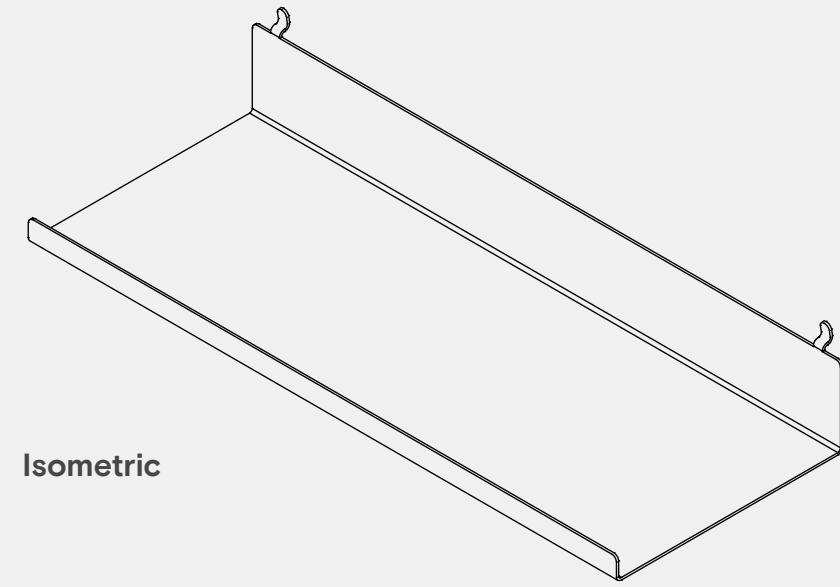
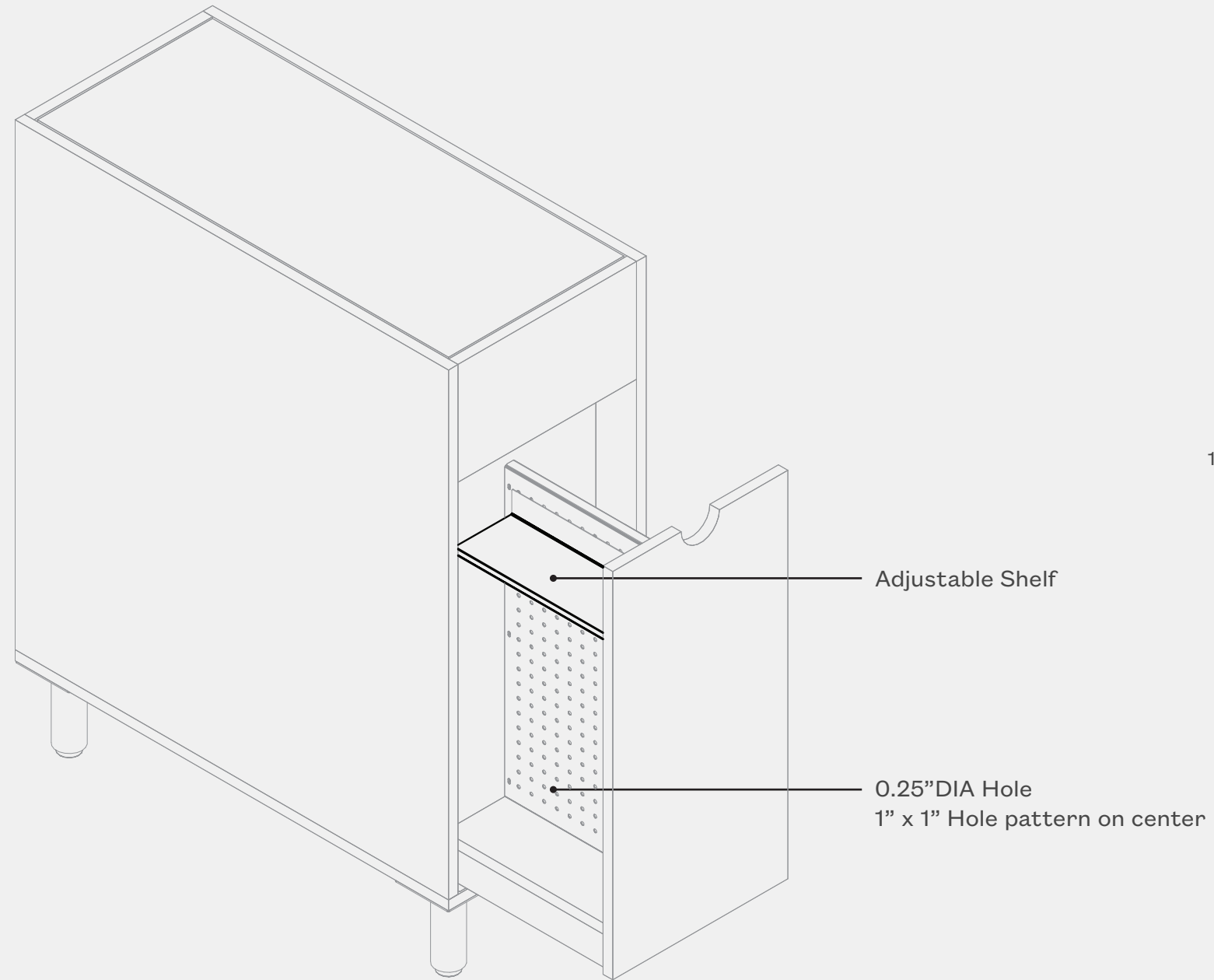


Partition Location:

Left

Center

Right



GRADIENT | HUE PLANTER

DIMENSIONS

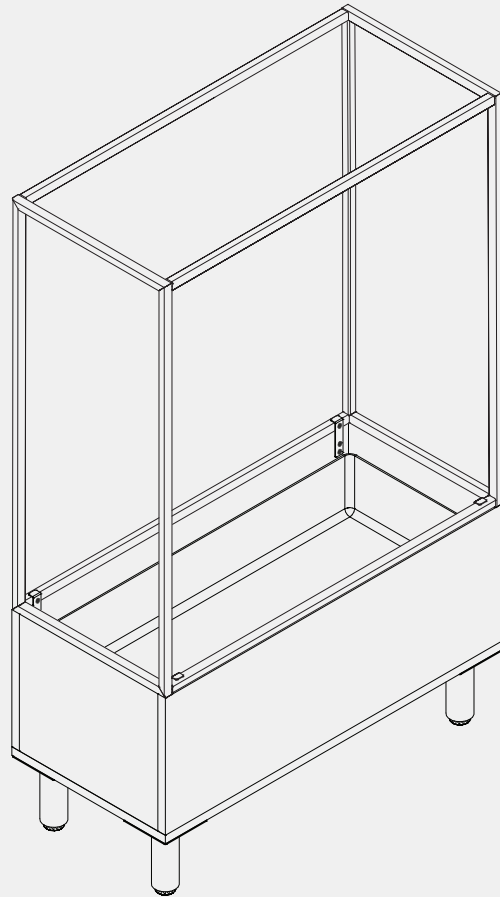
Width:	15.5"W
Depth:	34"D
Height:	54"H

DESIGN DETAILS

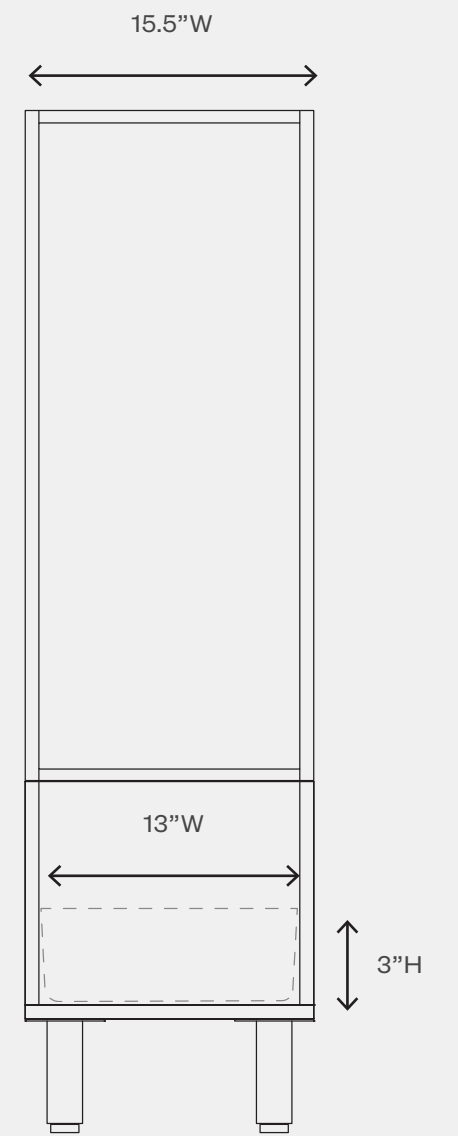
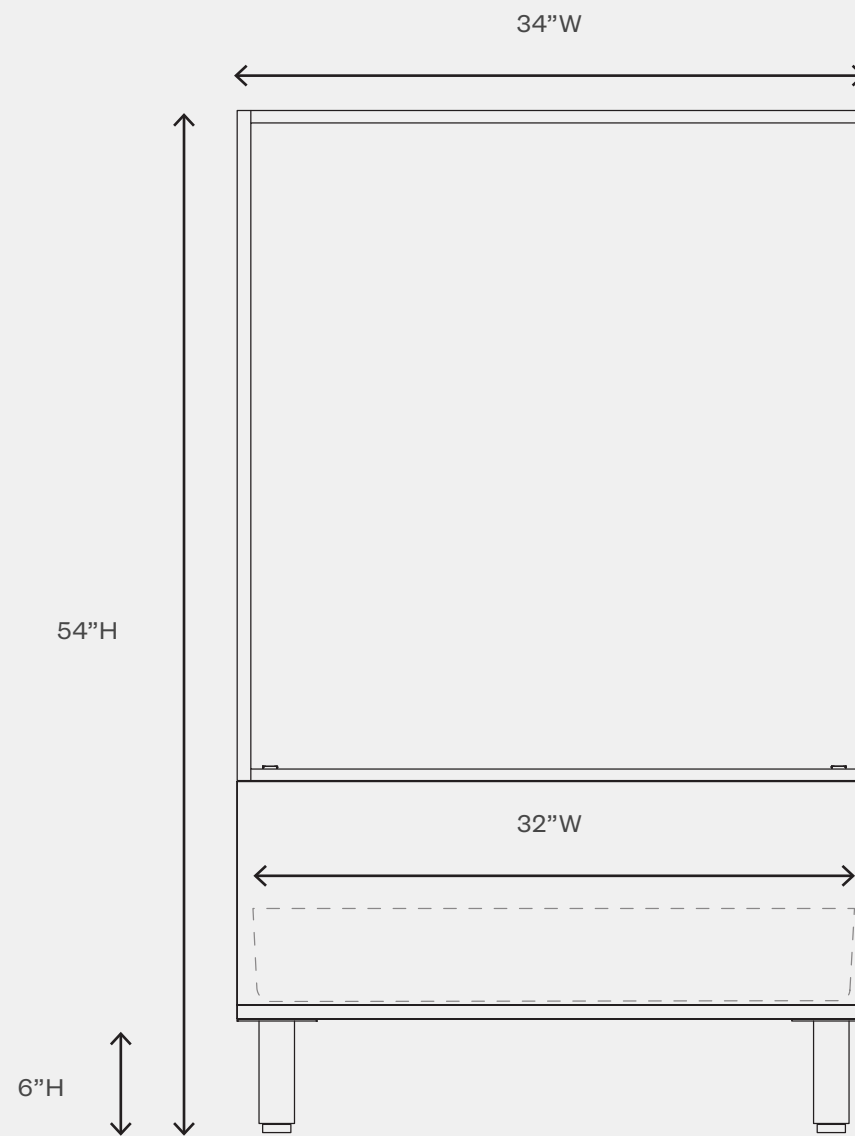
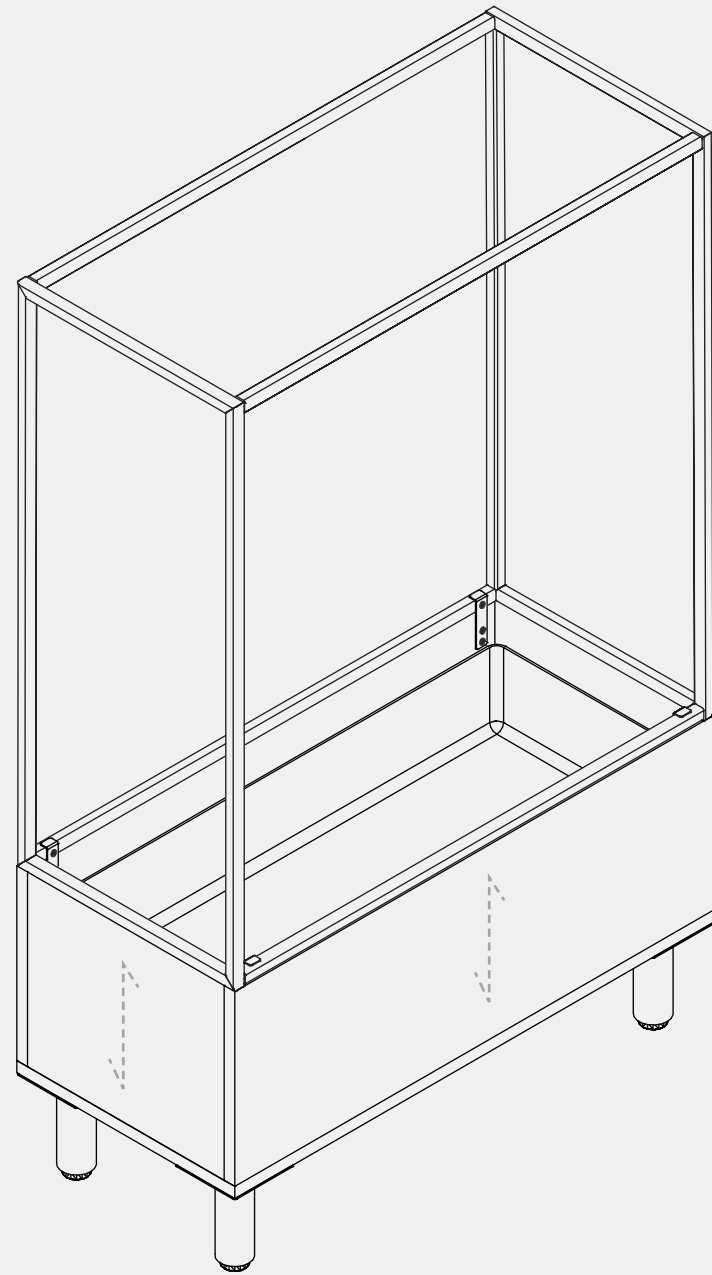
Glide:	1.5" Leveler
--------	--------------

FINISHES (Refer to Pair Palette)

Frame:	Metal
Planter Liner:	ABS Plastic; Black
Case:	Veneer Laminate
Case Edge Band:	Matching
Base:	Metal



GRADIENT | HUE PLANTER





UNTETHERED WORKSTATIONS & TABLES

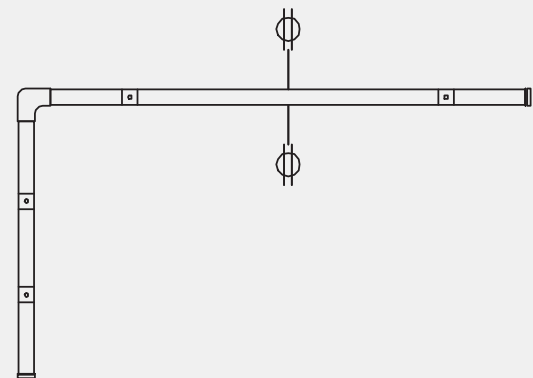
Gradient Beam can be paired with Belay height adjustable desks or freestanding tables for an untethered solution. Applications below indicate the required support needed for different freestanding beam configurations.

For more information refer to contact address on last page.

Maximum of one Freestanding Beam



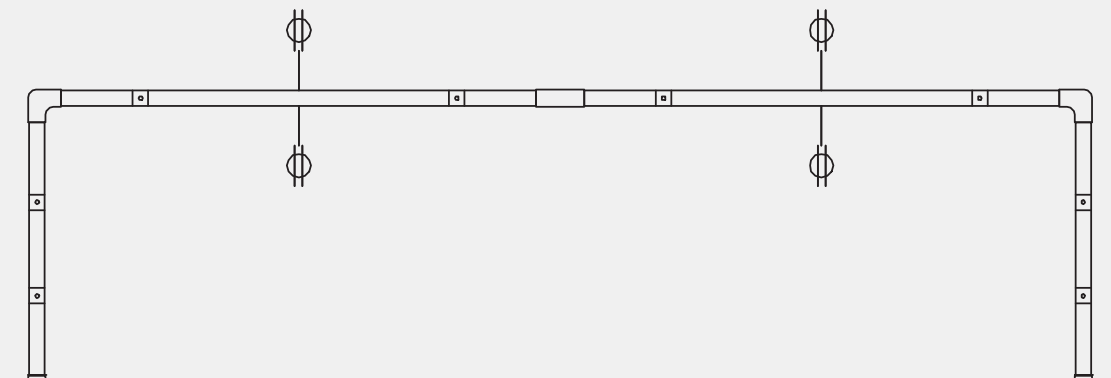
One Freestanding Beam requires a minimum of one perpendicular beam* for support.



PLAN VIEW

Two Freestanding Beams require a minimum of two perpendicular beams* for support. The perpendicular beams can be the same or opposite directions from the beam.

Maximum of two Freestanding Beams

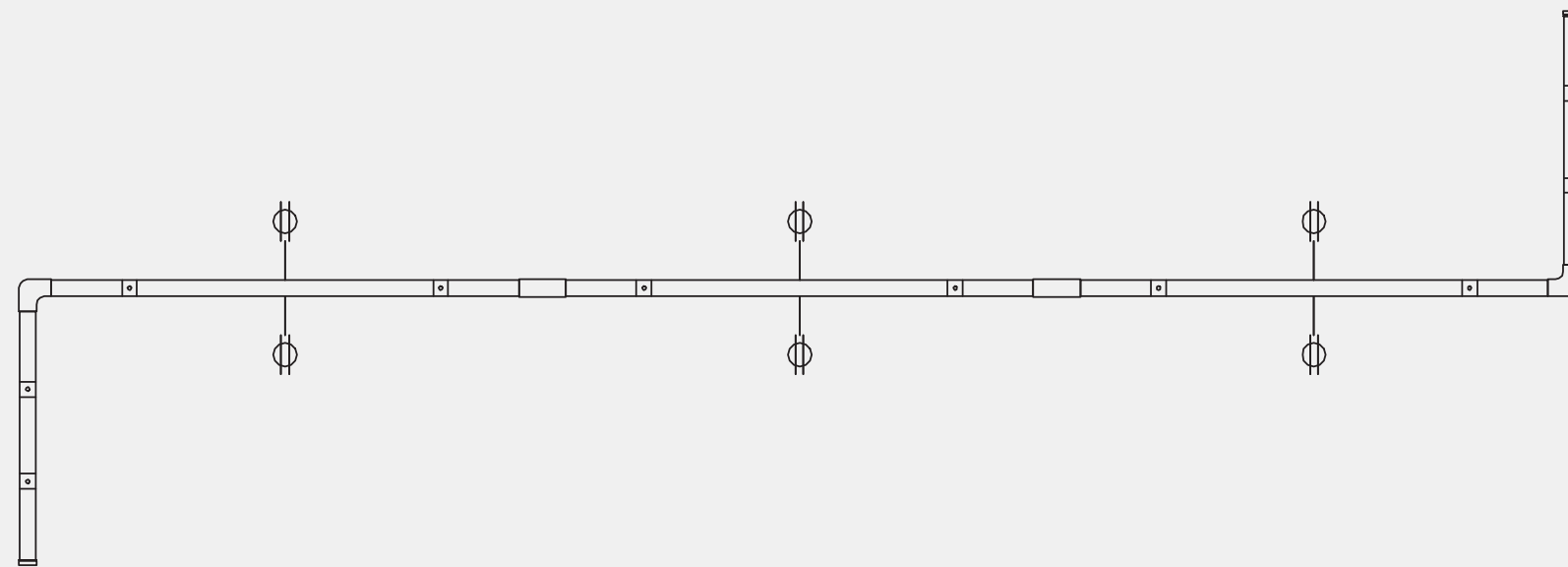


PLAN VIEW

Maximum of three Freestanding Beams

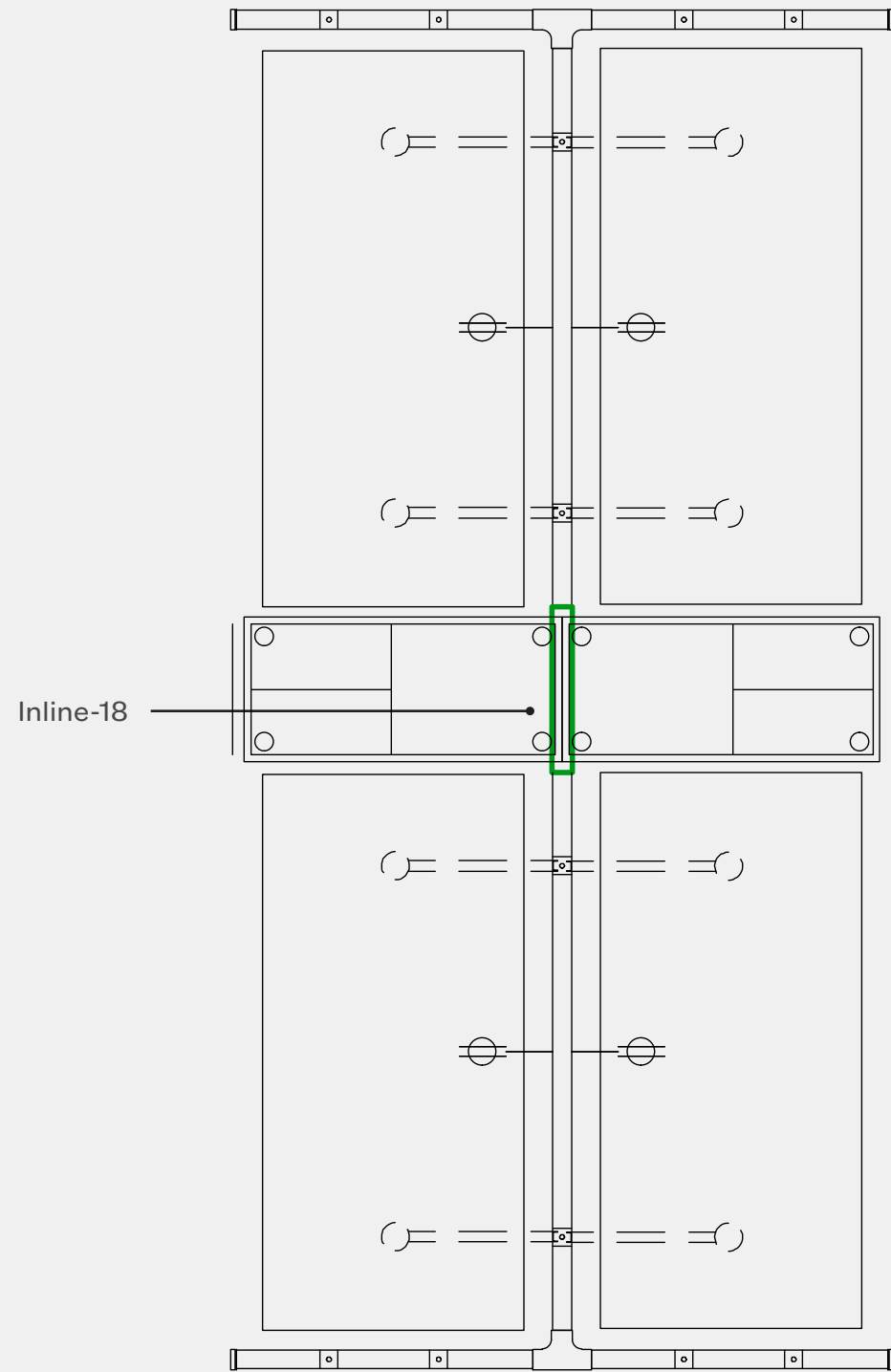


Three Freestanding Beams require a minimum of two perpendicular beams* for support. The perpendicular beams must be opposing directions from the beam.



PLAN VIEW

**Perpendicular beam can be any module size; 32, 60, 72.*

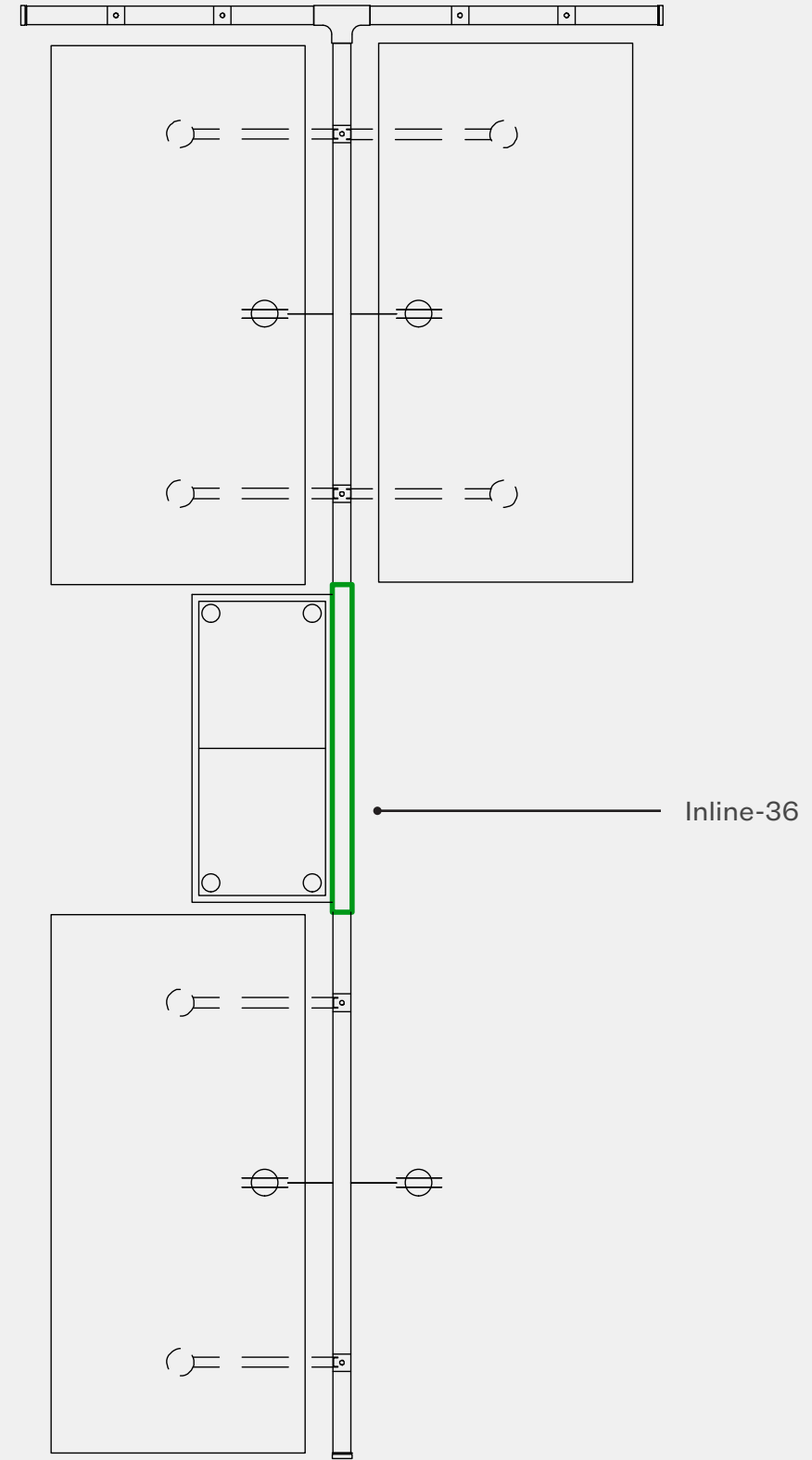


Inline-18

PLAN VIEW

Inline-18

Application requires Inline-18 Connector to bridge power between the Gradient Beams when a Hue Storage Pull Out is used within a Cluster.

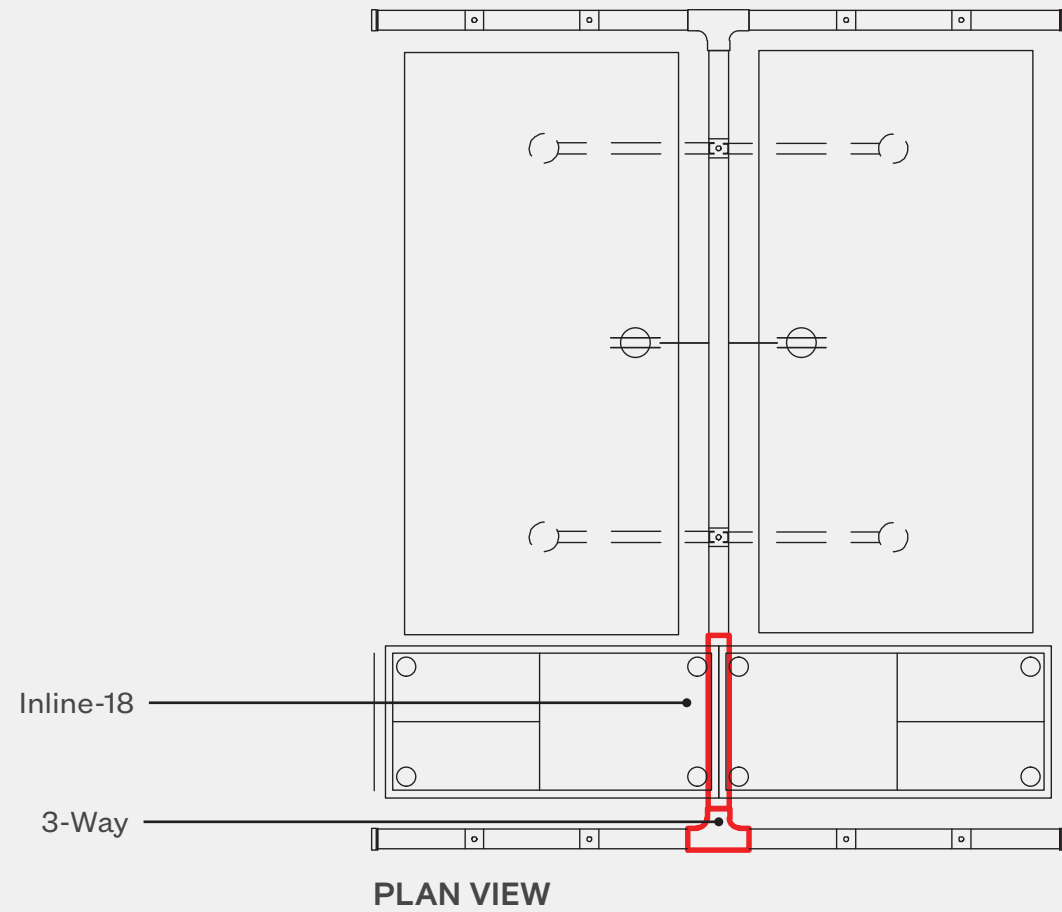


Inline-36

PLAN VIEW

Inline-36

Application requires Inline-36 Connector to bridge power between the Gradient Beams when a Hue Storage Enclosed Shelf, Enclosed Cubby or Planter is used within a Cluster.



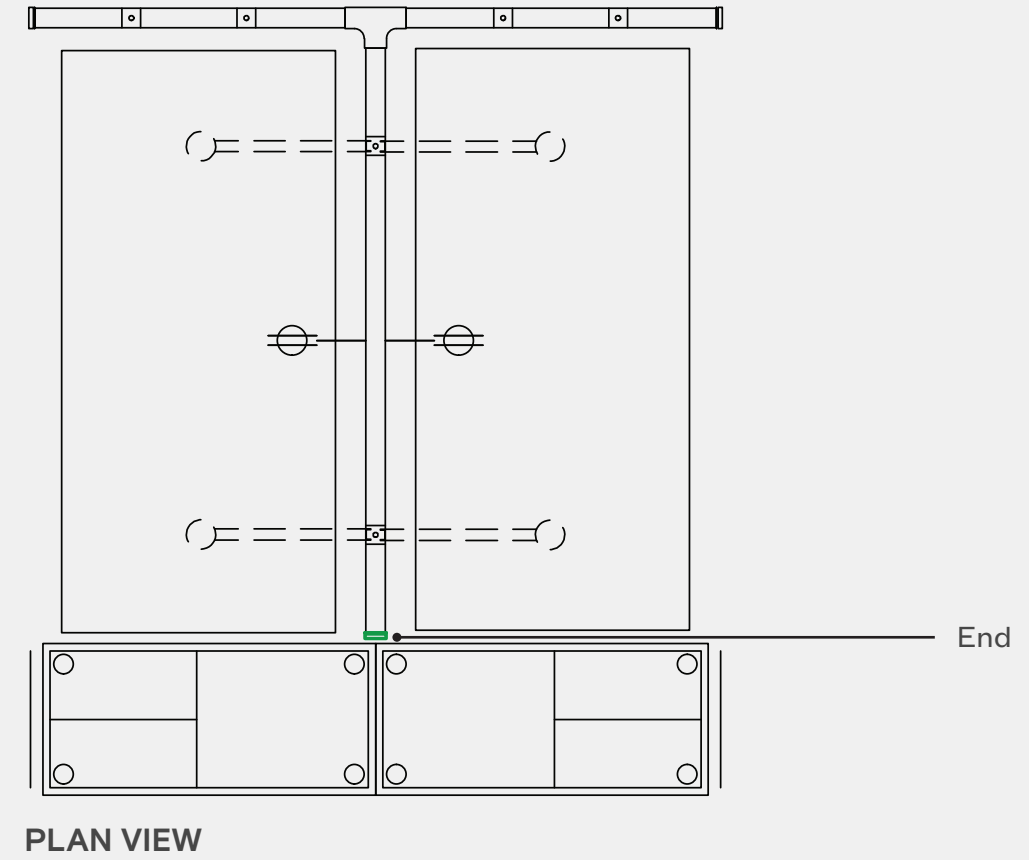
PLAN VIEW

INCORRECT APPLICATION:

Inline-18 Connector can not attach to a 3-Way Connector.

Connector to connector attachment is not possible.

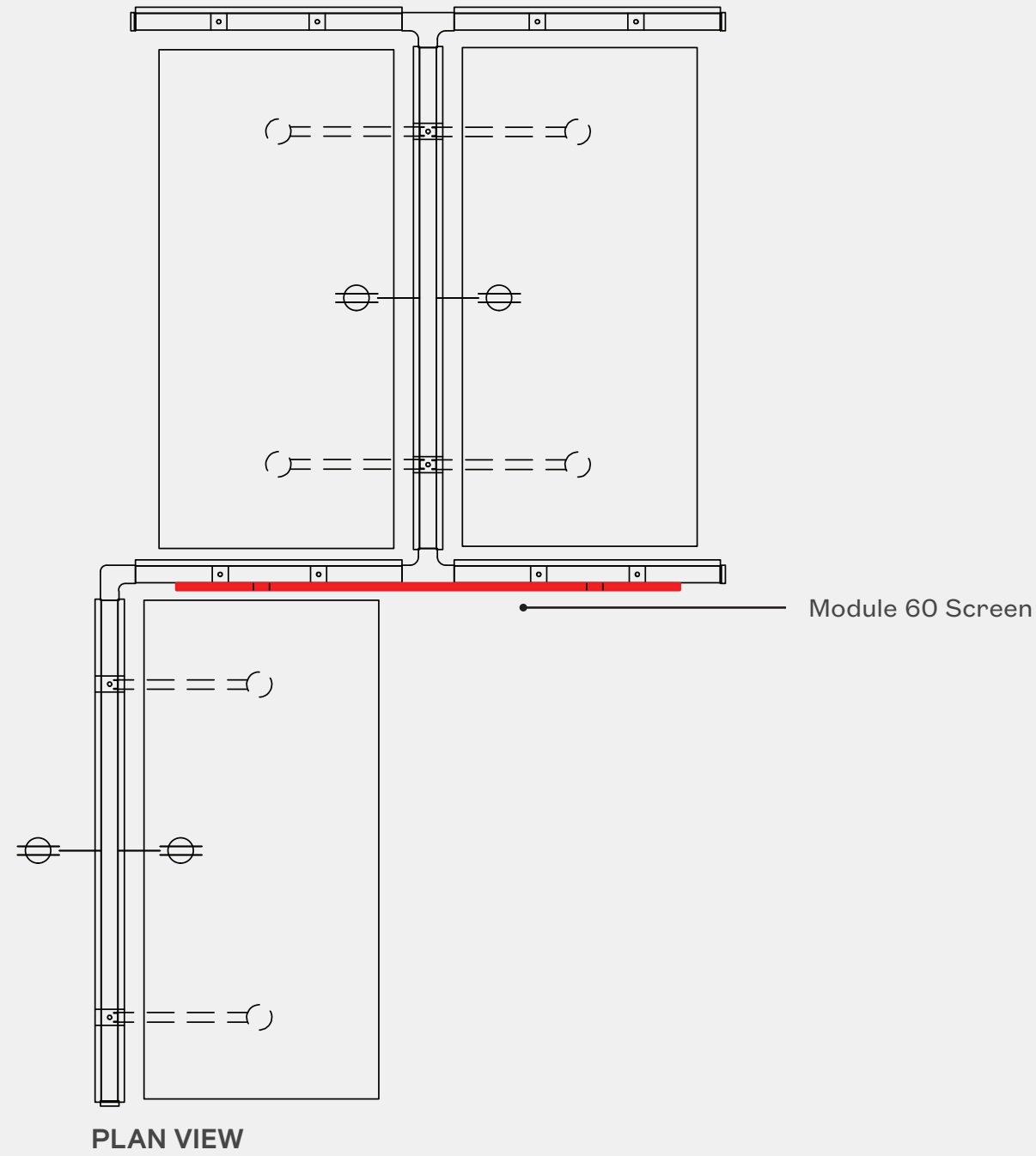
Only Connector to Beam applications are possible.



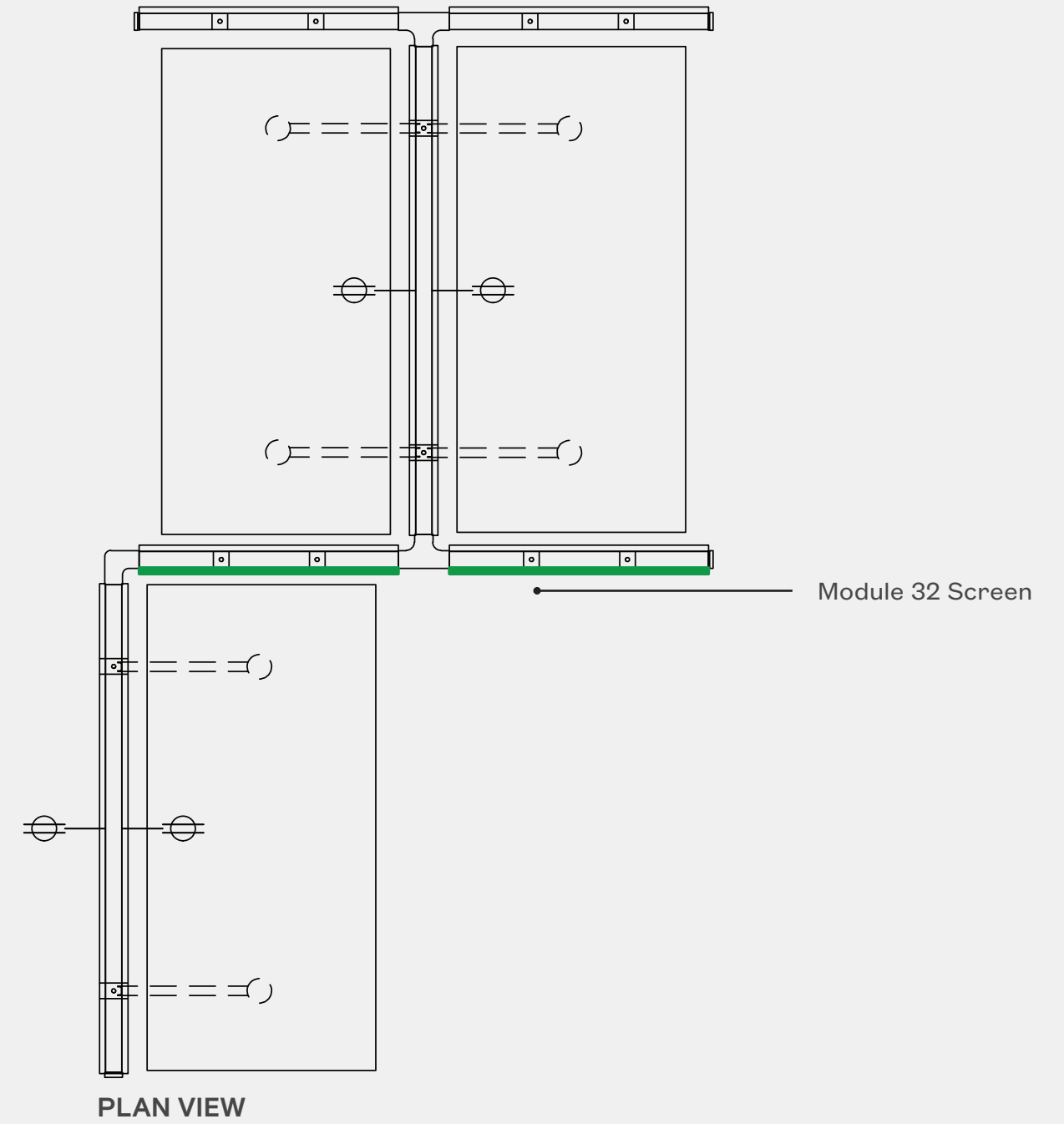
PLAN VIEW

CORRECT APPLICATION:

Beam terminates with End Connector.

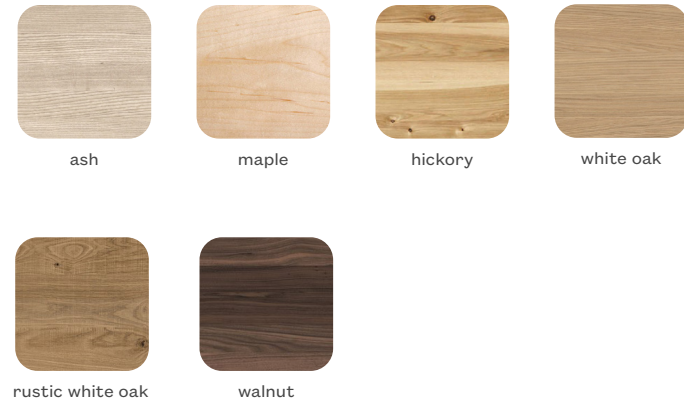


INCORRECT APPLICATION:
One 60 Module Screen can not attach to two 32 Module Beams.



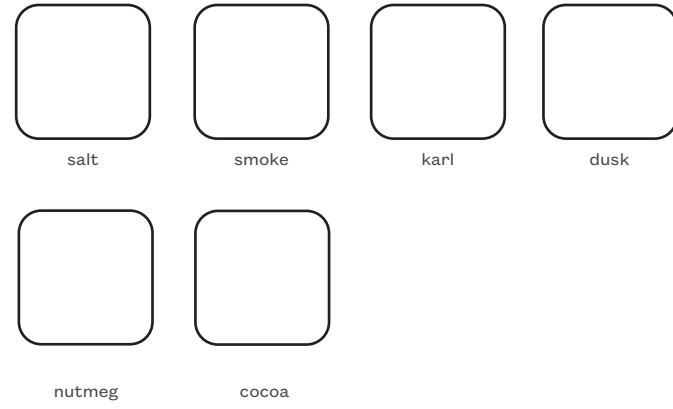
CORRECT APPLICATION:
Two 32 Module Screens attached to two 32 Module Beams with gap between them.

veneER

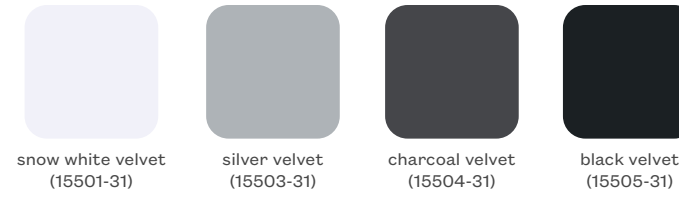


WRAPPED LAMINATE

**woodgrains contain texture*



SOFT TOUCH LAMINATE



LAMINATE



METAL

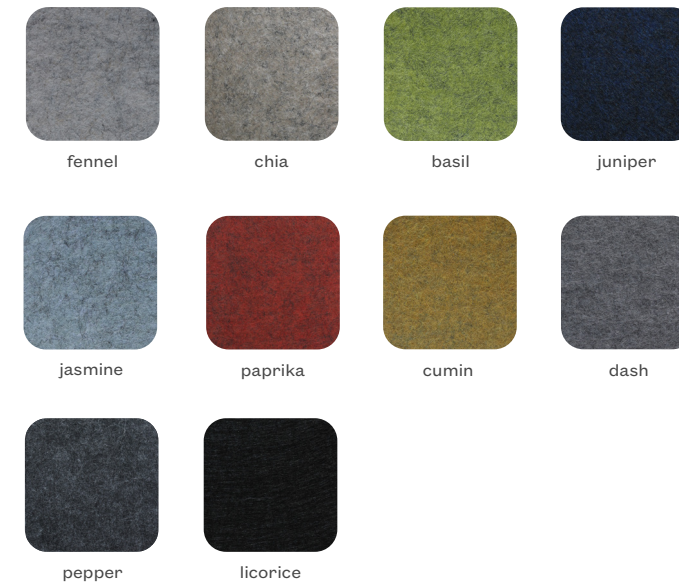


WOOL

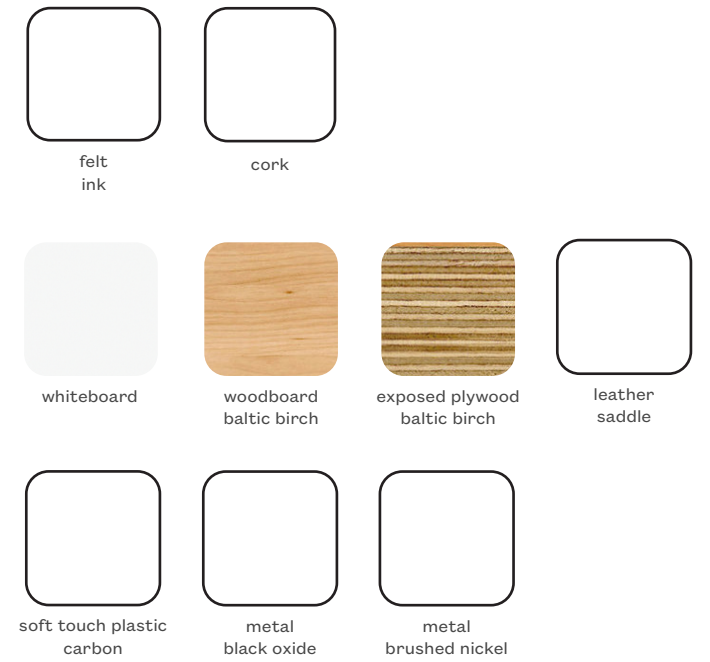
**additional colorways available at a premium*



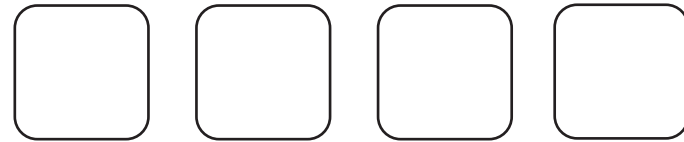
PET



MISCELLANEOUS



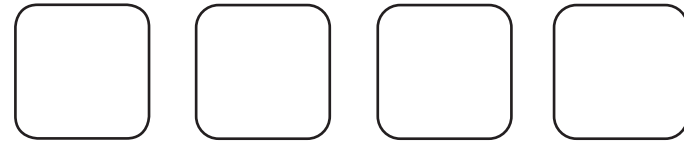
SOFT TOUCH GLASS



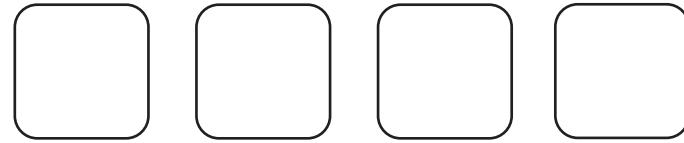
olive storm ash gumby



wave apollo carbon abyss



midnight ghost mist sunny



blush rouge salmon fire

BUZZIFELT



orange offwhite stonegrey lightblue



jeans

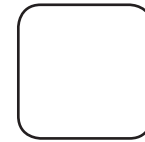
BIO PLASTIC



sage forest ocean navy



clay eggshell ochre blossom



terracotta



Email hello@madebypair.com for more information.